

TRADE SHORT FORM SPARES CATALOGUE



 Dometic

SPINFLO

by **THETFORD**

 Dometic SEITZ

THETFORD

 Dometic SMEV

 Dometic CRAMER

STOVES

CONTENTS

**WORKSHOP
ESSENTIALS**

WSE 1-4

DOMETIC

DOM 1-25

SPINFLO

SPI 1-23

SEITZ

SEI 1-9

THETFORD

THE 1-3

SMEV

SME 1-3

CRAMER

CRA 1-3

STOVES

STO 1-2

Please use this short form catalogue as a handy guide to our most popular spare parts and schematic diagrams.

Information on our products and spares not found within these pages can be located on our website www.leisurespares.co.uk or you could call [01423 320009](tel:01423320009) for further assistance.

Any serial or model numbers that can be found on products in question are always good to have at hand before making any web or phone enquiries.



Phone: 01423 320009

Fax: 01423 320006

Email: sales@leisurespares.co.uk



16374 - water pump



623064 - heater AC v1



MAC0052 - grill burner



23709 - electric valve



623077 - thermistor



MAO0060 - oven burner L



23721 - lip seal c200



625681 - v2 thermocouple



MAO0064 - oven burner S



23739-62 - manual pump



691136 - EES PCB



PCC1110 - hob tcouple 320



23792 - 200cwe switch



691137 - SES PCB



PCC1112 - tcouple 600



50712 - 250cwe pump



62302407 - latch v1



PCC1120 - oven tcouple



623019 - burner



62568807 - gas valve man v2



PCC1121 - grill tcouple



623020 - v1 thermocouple



62698507 - latch v2



PCC1123 - grill tcouple

THETFORD WORKSHOP ESSENTIALS

THETFORD WORKSHOP ESSENTIALS



PCC1125 - grill tcouple



PCC1399 - ign box 12v



PCO0140 - jet press catch



PCC1130 - tcouple 250mm



PCC1420 - switch + button



PCO0159 - tcouple oven



PCC1132 - tcouple 450mm



PCC1428 - electrode 600mm



PCO0452 - oven valve (screw)



PCC1163 - tcouple 220mm



PCC1430 - electrode oven



PCO0454 - oven valve (screw)



PCC1164 - tcouple grill



PCC1453 - electrode 300mm



PCO0472 - oven valve (spade)



PCC1167 - tcouple 320mm



PCC1455 - electrode 600mm



PCO0474 - oven valve (spade)



PCC1168 - tcouple 450mm



PCC1456 - electrode 1200mm



PCX0385 - bump stop (screw)



PCC1391 - ign box 230v



PCC1457 - electrode 900mm



PCX0389 - bump (mushroom)



334 - Handle



2900010 - Door Catch



BG1037 - Handle LH



570E20 - Gas Strut



2412771111 - PCB Assy



BG1078 - Handle RH



570E35 - Lift Handle



2412789303 - Igniter



BG1079 - Handle LH



508E05 - Flyscreen Heki 2



4071439865 - EK2000 Fixings



BG1089 - Repair Kit



580E10 - Blind Heki 2



4071439972 - EK2000 Caps



BG1091 - Repair Kit



1300221 - T/C 250mm



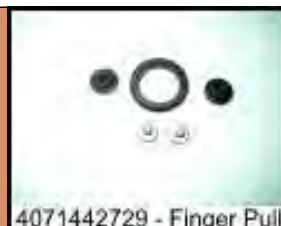
4071441515 - EK2000 Skirts



BG1100BG1101 - Flyscreen



1300331 - T/C 330mm



4071442729 - Finger Pull



BG1102BG1103 - Blind



1300332 - T/C 450mm



BG1036 - Handle RH



BG1125 - End Clips

DOMETIC WORKSHOP ESSENTIALS

DOMETIC WORKSHOP ESSENTIALS



BG1264 - See Jaw Clip



GR10018 - Thermocouple



LS300 - Vent



BG1327 - Mini Heki Seal



GR10025 - Gas Valve



SP153 - Finger Pull



BG1423 - Mini Heki Dome



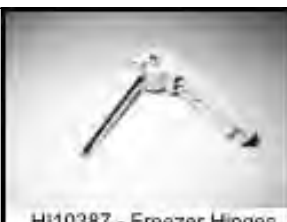
HI10384AB - Freezer Hinges



SP391 - Clip



BG133025 - Mini Heki Interior



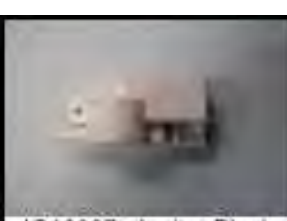
HI10387 - Freezer Hinges



SP420PR - End Hooks



EL10288 - 240v Heater



IG10227 - Igniter Block



SP1030 - Clip



EL10303 - Selector Switch



IG10229 - Electrode



TR10422A - Catch



GR10016 - Gas Thermostat



IG10230 - Electrode



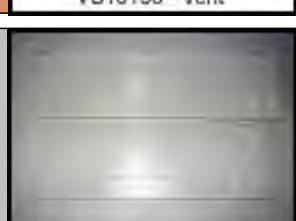
VS10158 - Vent



GR10017 - Gas Valve



JB10069 - Burner



VS10160 - Winter Covers



Dom 1-8

Popular 4 series fridges

Dom 9-12

Popular 6 series fridges

Dom 13-16

Popular 7 series fridges

Dom 17-20

Popular 8 series fridges

Dom 21-22

Travel catches

Dom 23

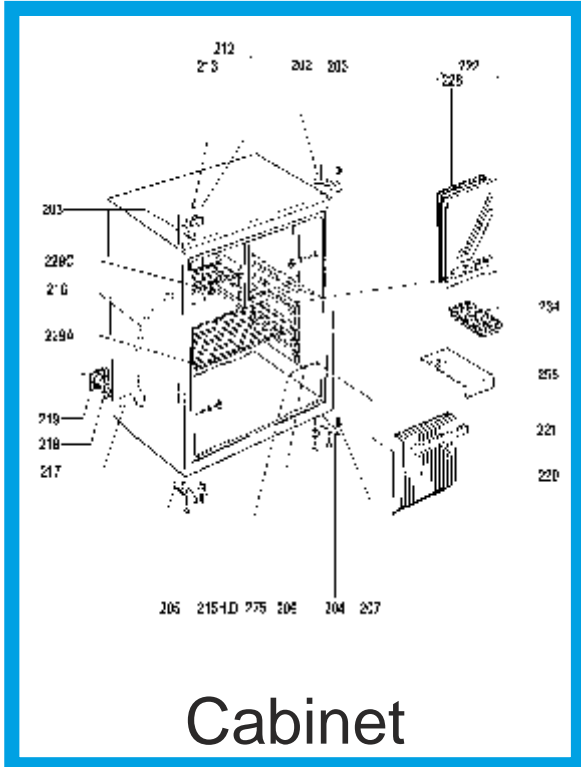
6 & 7 series popular cabinet parts

Dom 23-24

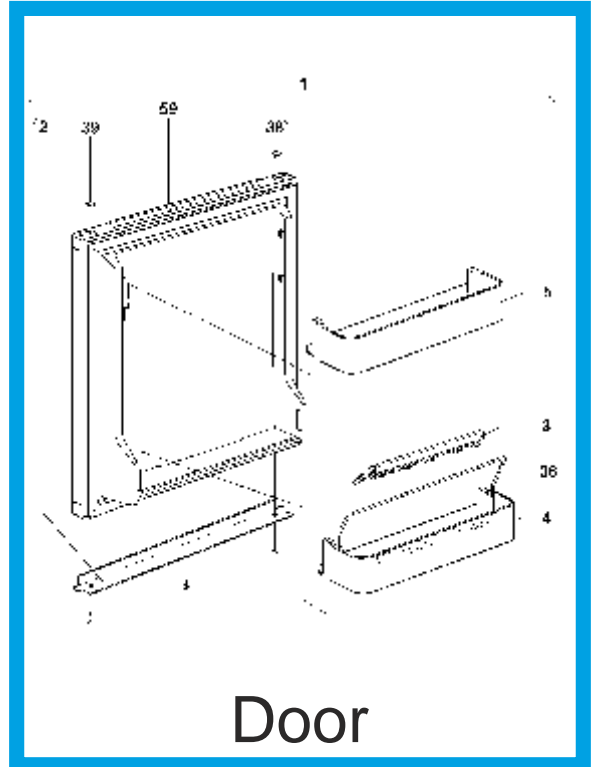
Vents

Dom 25

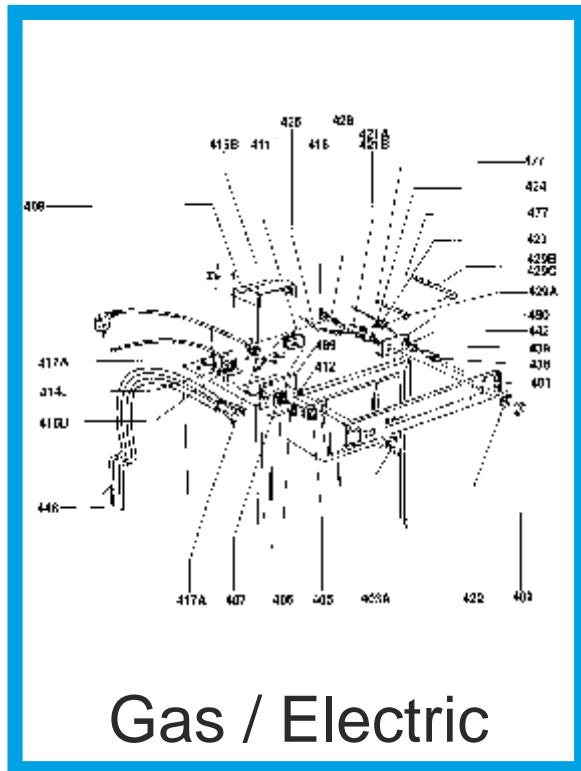
Dometic products



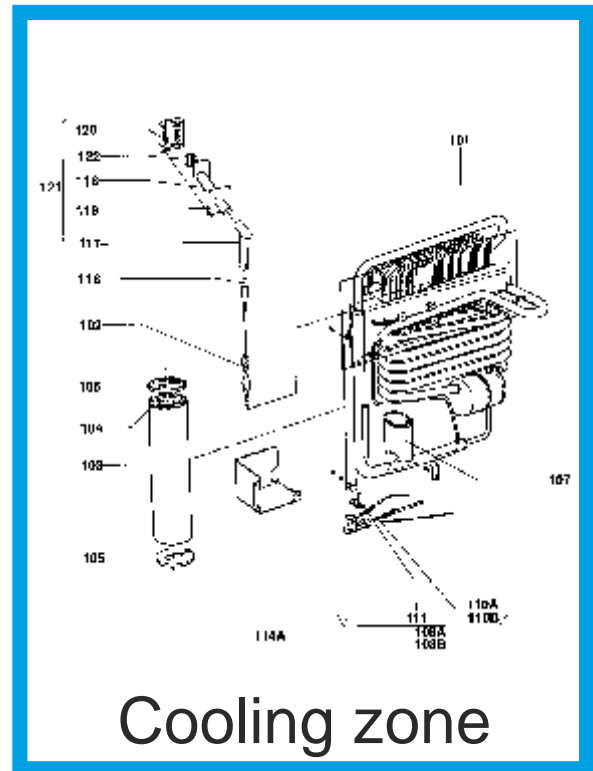
Cabinet



Door



Gas / Electric



Cooling zone

CABINET

KEY	DESCRIPTION	PART NUMBER
229C	UPPER SHELF	IC10353
229A	LOWER SHELF	2951281258
222	FREEZER DOOR	IC10350
212	TRAVEL CATCH	TR10415
212	QUICK RELEASE CATCH	TR10417

DOOR

KEY	DESCRIPTION	PART NUMBER
5	UPPER SHELF	IC10343
4	BOTTLE SHELF	IC10342
36	BOTTLE BAR	IC10342A
3	BOTTLE FINGERS	IC10331

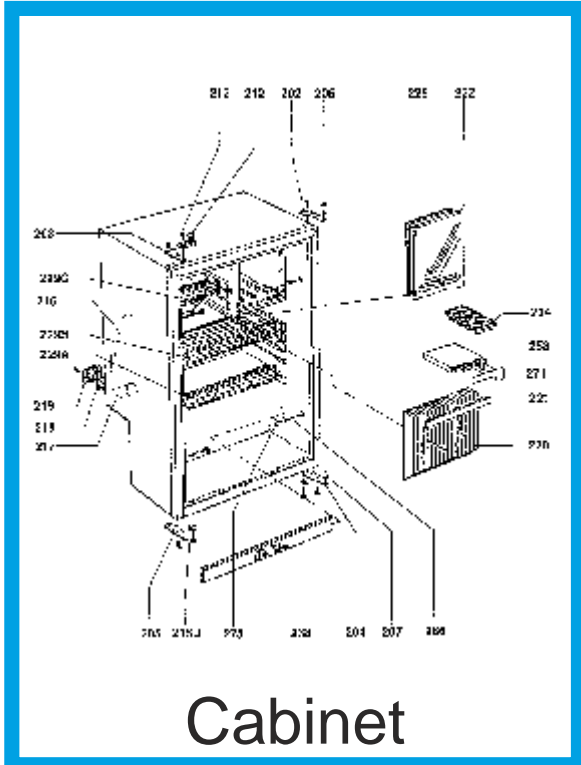
GAS / ELECTRIC

KEY	DESCRIPTION	PART NUMBER
405	MAINS SWITCH GREEN	2951433107
406	12V SWITCH RED	2951398201
428	THERMOCOUPLE	GR10018
446	MAINS ELEMENT	2413230000
446	12V ELEMENT	EL10293A
421A	GAS VALVE	2926276300
411	THERMOSTAT ELECTRIC	EL10285
438	PIEZO IGNITER RM4200	IG10231
	ELECTRONIC IGNITER RM4201	IG10227
403A	THERMOSTAT KNOB	CK10519
402	GAS KNOB	CK10521
442	SPARK CABLE RM4200	2927880548
	ELECTRODE & LEAD RM4201	IG10229

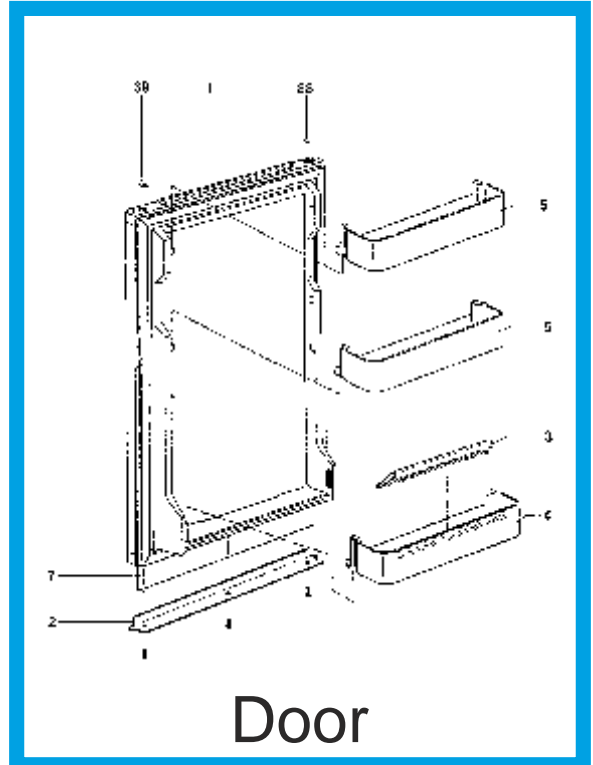
COOLING ZONE

KEY	DESCRIPTION	PART NUMBER
108	BURNER JET & ELECTRODE	JB10071
111	SPARK ELECTRODE	IG10233
110	JET 45	JB10058

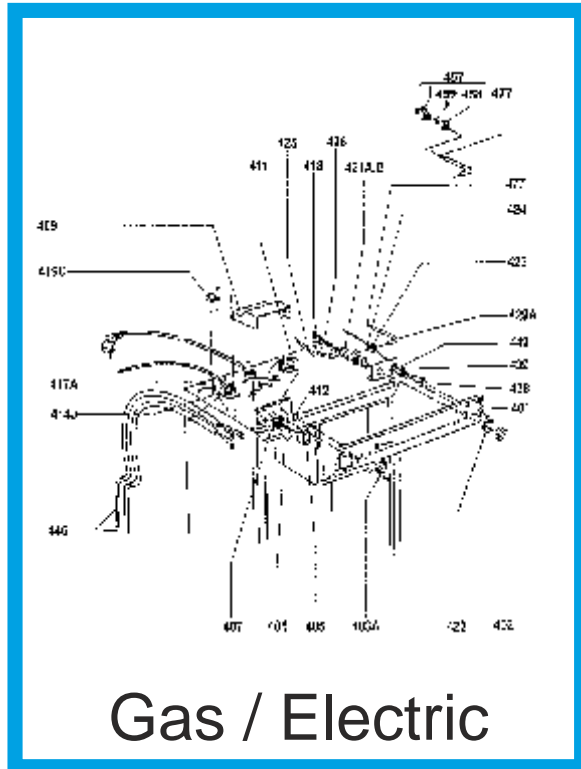
If there is anything on a schematic diagram, but not listed in the parts list, please refer to our website: www.leisurespares.co.uk or call 01423 320009 for further assistance.



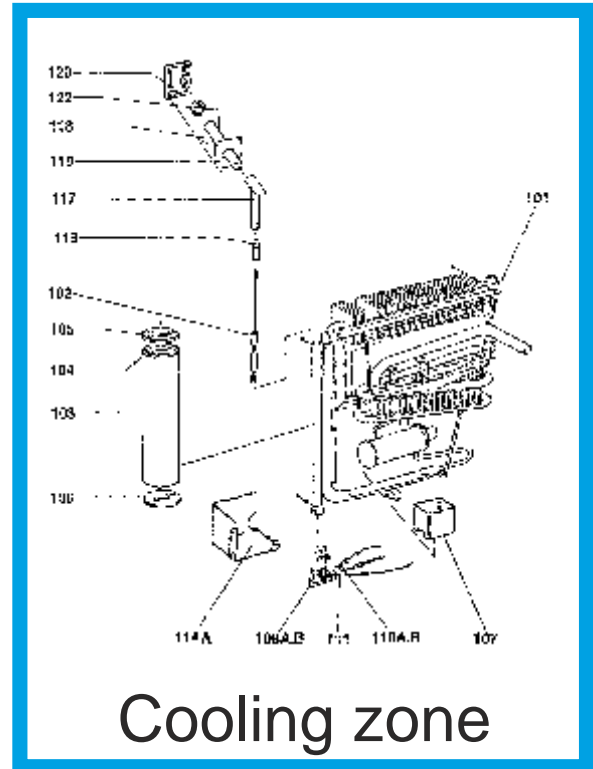
Cabinet



Door



Gas / Electric



Cooling zone

CABINET

KEY	DESCRIPTION	PART NUMBER
229C	UPPER SHELF	2951421250
229B	MIDDLE SHELF	IC10357B
229A	LOWER SHELF	2951521257
222	FREEZER DOOR	IC10350
212	TRAVEL CATCH	TR10415
212	QUICK RELEASE CATCH	TR10417

DOOR

KEY	DESCRIPTION	PART NUMBER
5	UPPER SHELF	IC10343
5	MIDDLE SHELF	IC10343
4	BOTTLE SHELF	IC10342
3	BOTTLE FINGERS	IC10331
	BOTTLE RETAINER BAR	IC10342A

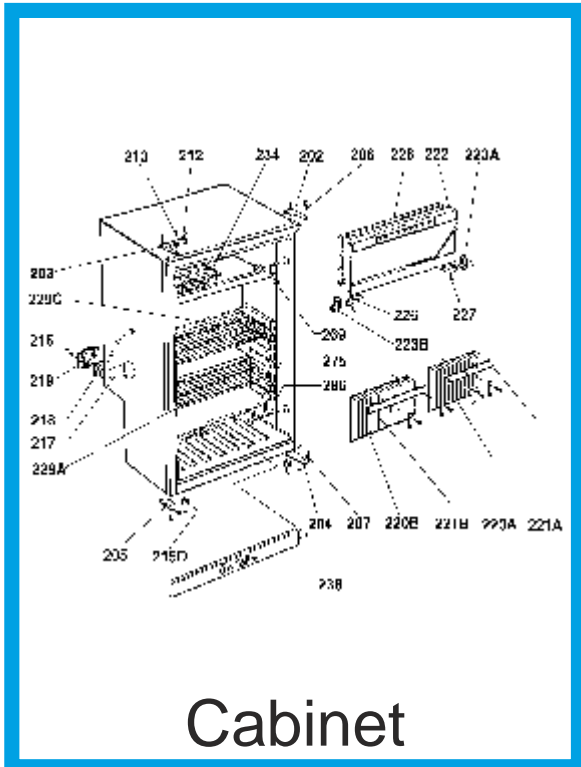
GAS / ELECTRIC

KEY	DESCRIPTION	PART NUMBER
405	MAINS SWITCH GREEN	EL10282
406	12V SWITCH RED	2926273505
428	THERMOCOUPLE	GR10018
446	MAINS ELEMENT	2413230000
446	12V ELEMENT	EL10293A
421	GAS VALVE	2926276300
411	THERMOSTAT ELECTRIC	EL10285
438	PIEZO IGNITER RM4230	IG10231
	ELECTRONIC IGNITER RM4231	IG10227
403	THERMOSTAT KNOB	CK10519
402	GAS KNOB	2951289004
442	SPARK LEAD RM4230	2927880548
	ELECTRODE & LEAD RM4231	IG10229

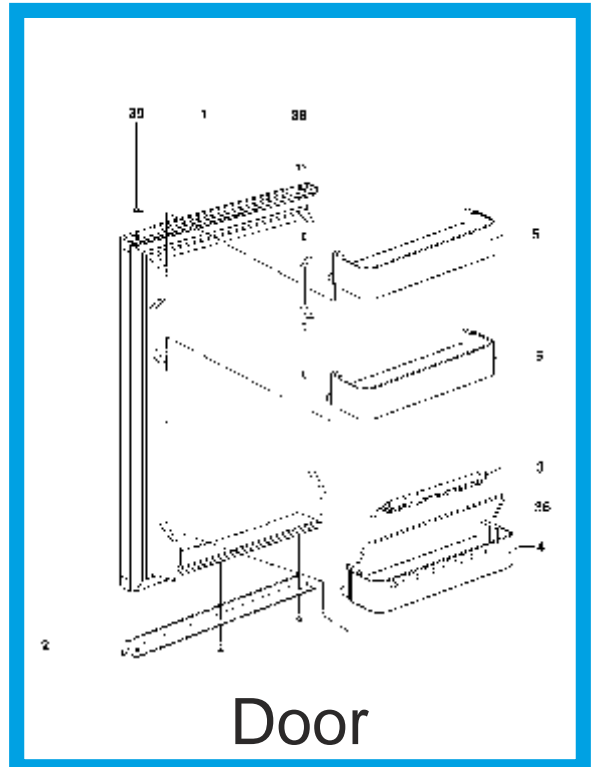
COOLING ZONE

KEY	DESCRIPTION	PART NUMBER
108	BURNER & ELECTRODE	2923430520
111	SPARK ELECTRODE RM4230	IG10233
110	JET 45	JB10058
110	JET 46	JB10074

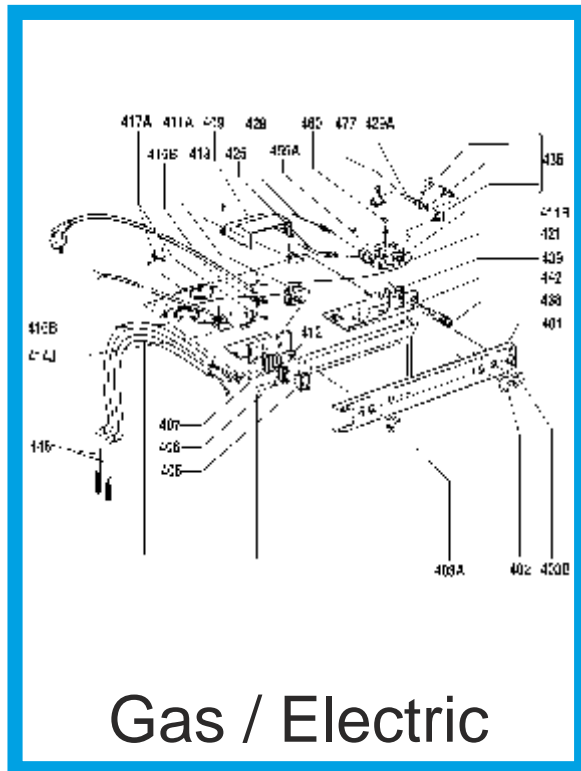
If there is anything on a schematic diagram, but not listed in the parts list, please refer to our website: www.leisurespares.co.uk or call 01423 320009 for further assistance.



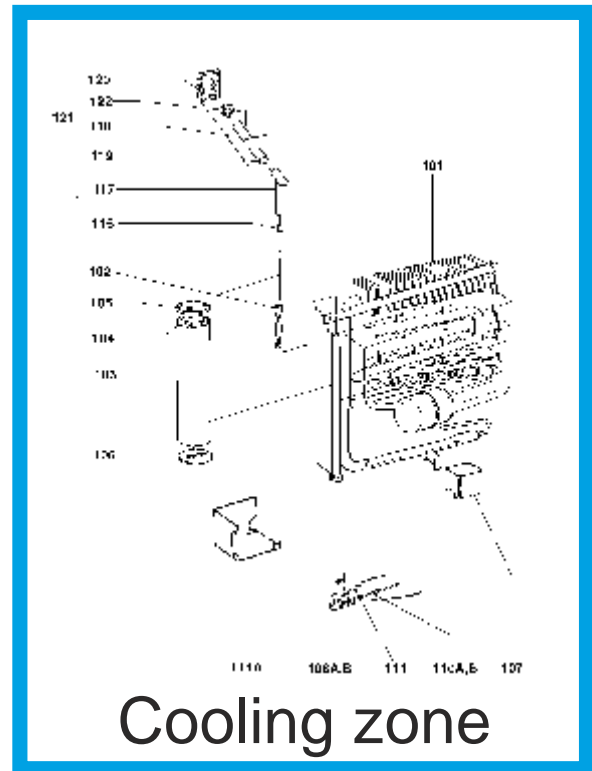
Cabinet



Door



Gas / Electric



Cooling zone

CABINET

KEY	DESCRIPTION	PART NUMBER
229C	UPPER SHELF	IC10357B
229A	LOWER SHELF	IC10348
222	FREEZER DOOR	IC10344
223A/B	FREEZER DOOR HINGES	HI10384AB
212	TRAVEL CATCH	TR10415

DOOR

KEY	DESCRIPTION	PART NUMBER
5	UPPER SHELF	IC10343
5	MIDDLE SHELF	IC10343
4	BOTTLE SHELF	IC10342
36	BOTTLE BAR	IC10342A
3	BOTTLE FINGERS	IC10331

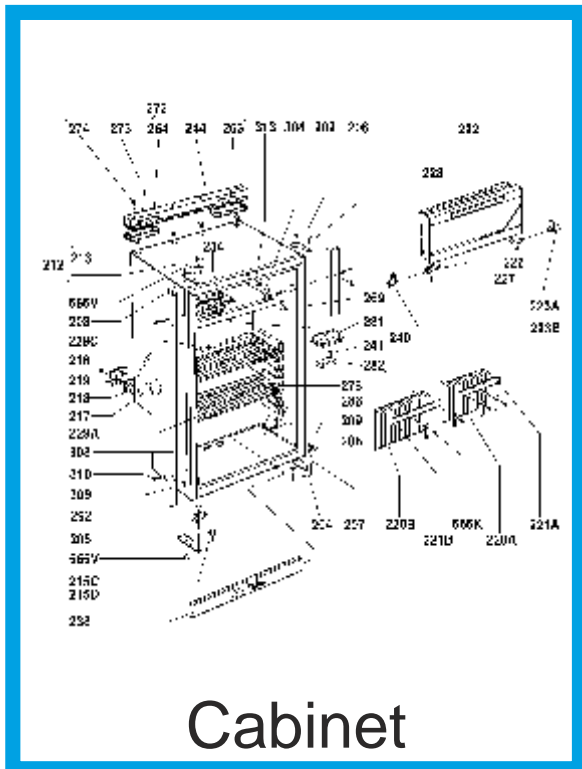
GAS / ELECTRIC

KEY	DESCRIPTION	PART NUMBER
405	MAINS SWITCH GREEN	EL10282
406	12V SWITCH RED	2926273505
428	THERMOCOUPLE	GR10018
446	MAINS ELEMENT	EL10288
446	12V ELEMENT	EL10259
421	GAS VALVE	GR10017
411B	THERMOSTAT GAS	GR10016
411A	THERMOSTAT ELECTRIC	EL10285
438	PIEZO IGNITER RM4270	IG10231
	ELECTRONIC IGNITER RM4271	IG10227
402	GAS VALVE KNOB	CK10518
403A	THERMOSTAT ELECTRIC KNOB	CK10519
403B	THERMOSTAT GAS KNOB	CK10520
442	ELECTRODE & LEAD RM4270	IG10230
	ELECTRODE & LEAD RM4271	IG10229

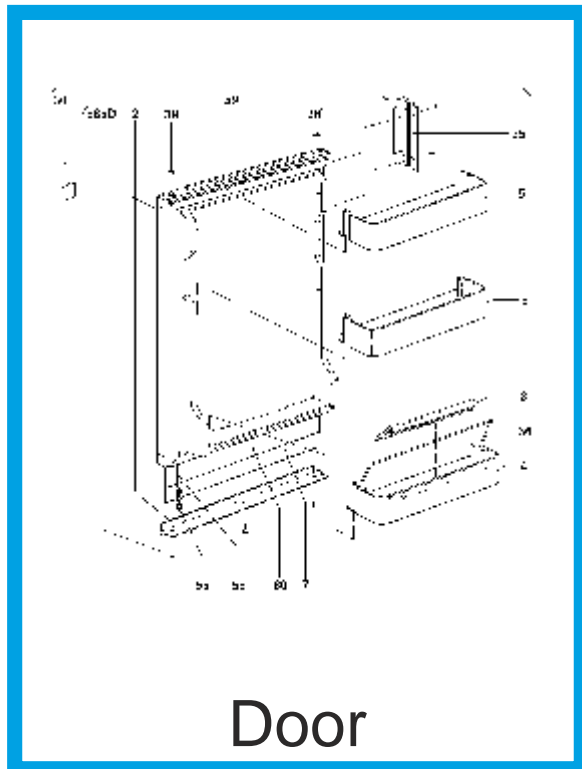
COOLING ZONE

KEY	DESCRIPTION	PART NUMBER
108	BURNER/JET/ELECTRODE	JB10069
111	SPARK ELECTRODE RM4270	IG10233
110	JET 43	JB10070

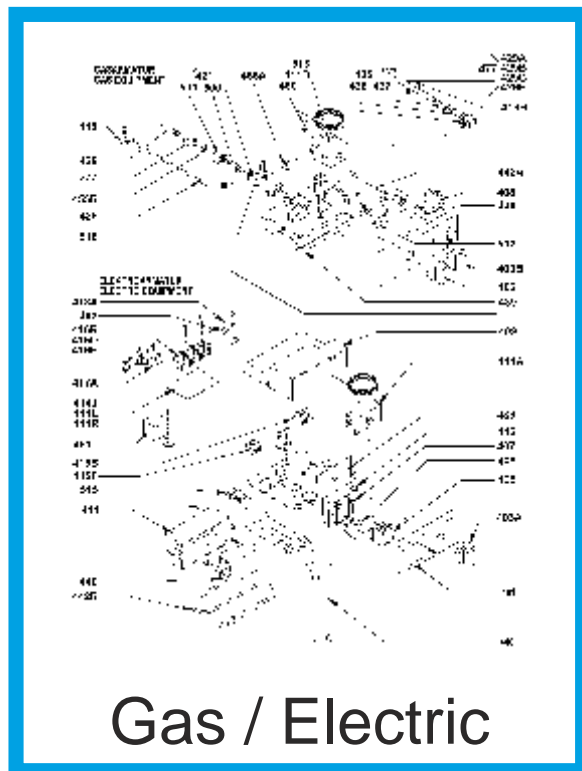
If there is anything on a schematic diagram, but not listed in the parts list, please refer to our website: www.leisurespares.co.uk or call 01423 320009 for further assistance.



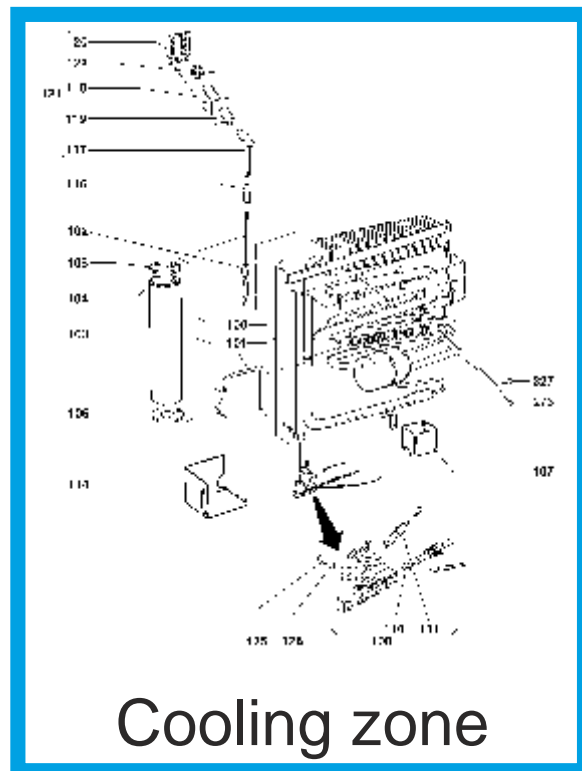
Cabinet



Door



Gas / Electric



Cooling zone

CABINET

KEY	DESCRIPTION	PART NUMBER
229C	UPPER SHELF	2951474259
229A	LOWER SHELF	IC10356
222	FREEZER DOOR	2951468079
223A/B	FREEZER DOOR HINGES	HI10384AB
212	QUICK RELEASE CATCH	TR10417

DOOR

KEY	DESCRIPTION	PART NUMBER
5	UPPER SHELF	IC10355
5	MIDDLE SHELF	IC10355
4	BOTTLE SHELF	IC10354
36	BOTTLE BAR	IC10354A
3	BOTTLE FINGERS	IC10331

GAS / ELECTRIC

KEY	DESCRIPTION	PART NUMBER
408	IGNITER SWITCH ORANGE	IG10234
405	MAINS SWITCH GREEN	EL10282
406	12V SWITCH RED	2926273505
428	THERMOCOUPLE	GR10018
446	MAINS ELEMENT	EL10288
446	12V ELEMENT	EL10259
421	GAS VALVE	GR10017
411B	THERMOSTAT GAS	GR10016
411A	THERMOSTAT ELECTRIC	EL10285
438	PIEZO IGNITER RM4290	IG10226
440	ELECTRONIC IGNITER RM4291	IG10227
403B	GAS THERMOSTAT KNOB	CK10520
402	GAS VALVE KNOB	CK10518
403A	ELECTRIC STAT KNOB	CK10519
442B	ELECTRODE AND LEAD RM4291	IG10229
442A	SPARK LEAD RM4290	2927880548

COOLING ZONE

KEY	DESCRIPTION	PART NUMBER
108	BURNER/JET/ELECTRODE	JB10069
110	JET 43	JB10070
111	SPARK ELECTRODE RM4290	IG10233

If there is anything on a schematic diagram, but not listed in the parts list, please refer to our website: www.leisurespares.co.uk or call 01423 320009 for further assistance.

CABINET

KEY	DESCRIPTION	PART NUMBER
229A	CABINET SHELF	IC10360
229C	CABINET SHELF	IC10359
222	FREEZER DOOR	IC10365
223	FREEZER DOOR HINGE	HI10387
212C	TRAVEL CATCH (PAIR)	TR10422A

DOOR

KEY	DESCRIPTION	PART NUMBER
66B	UPPER SHELF & LID	IC10363A
5A	HANGING DOOR SHELF	IC10367C
4	BOTTLE SHELF	IC10363
36	BOTTLE BAR	IC10364
3	BOTTLE DIVIDER	IC10372
67	SALAD BOX BASE	IC10371A
68	SALAD BOX LID	IC10371B

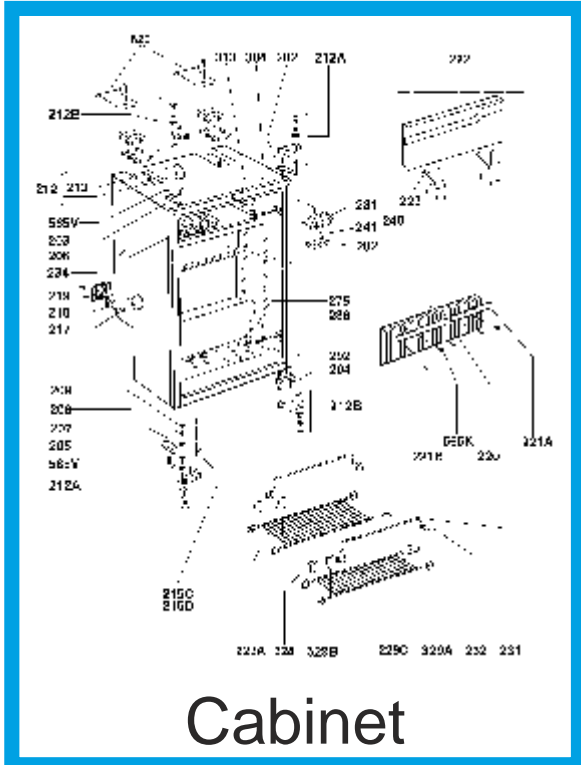
GAS / ELECTRIC

KEY	DESCRIPTION	PART NUMBER
428	THERMOCOUPLE	GR10018
446	MAINS ELEMENT	EL10300
446	12V ELEMENT	EL10259
421	GAS VALVE / THERMOSTAT	GR10025
438	PIEZO IGNITER RM6270	IG10226
498	ELECTRONIC IGNITER RM6271	IG10227
402	GAS THERMOSTAT KNOB	CK10523
403	SELECTOR KNOB	CK10524
492	SELECTOR SWITCH	EL10303
442B	ELECTRODE & LEAD RM6271	IG10229
442A	SPARK LEAD RM6270	2927880548

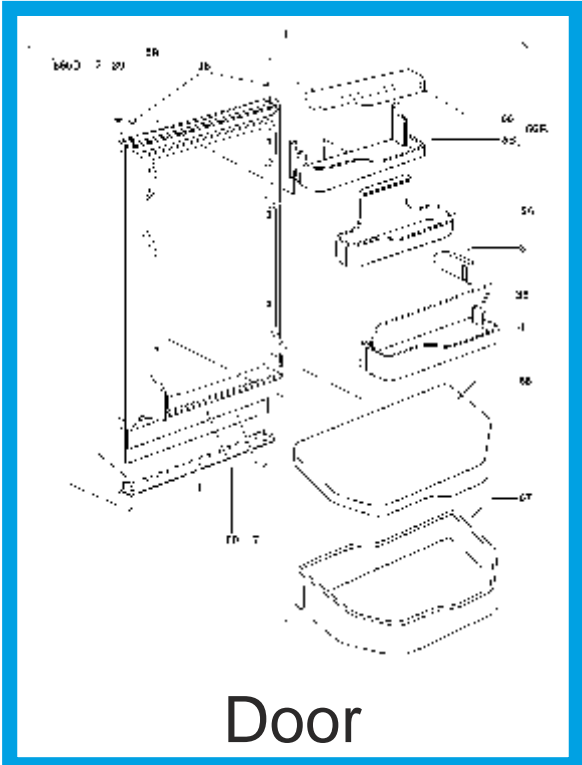
COOLING ZONE

KEY	DESCRIPTION	PART NUMBER
108	BURNER/JET/ELECTRODE	JB10069
110	JET 43	JB10070
111	SPARK ELECTRODE RM6270	IG10233

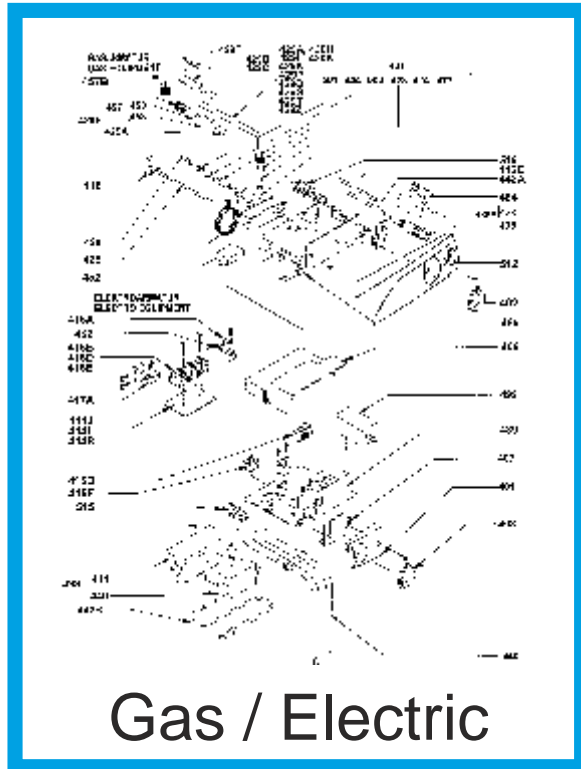
If there is anything on a schematic diagram, but not listed in the parts list, please refer to our website: www.leisurespares.co.uk or call 01423 320009 for further assistance.



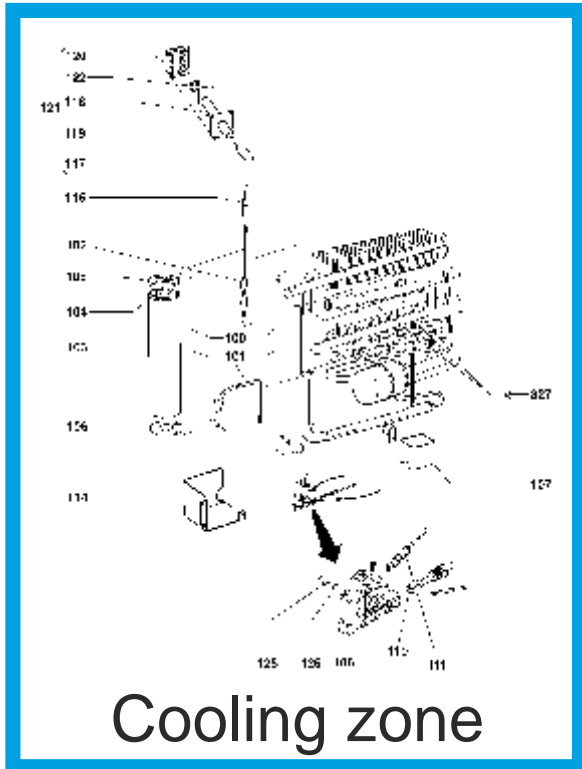
Cabinet



Door



Gas / Electric



Cooling zone

CABINET

KEY	DESCRIPTION	PART NUMBER
212A/B	TRAVEL CATCH PAIR	TR10422A
222	FREEZER DOOR	IC10369
223	FREEZER DOOR HINGE	HI10387
229A	CABINET SHELF	2413222601
229C	CABINET SHELF	IC10362

DOOR

KEY	DESCRIPTION	PART NUMBER
3	BOTTLE SHELF DIVIDER	IC10372
4	BOTTLE SHELF	IC10367D
36	BOTTLE BAR	IC10367E
5A	HANGING DOOR SHELF	IC10367C
66B	UPPER SHELF	IC10377
67	SALAD BOX BASE	IC10366
68	SALAD BOX LID	IC10367

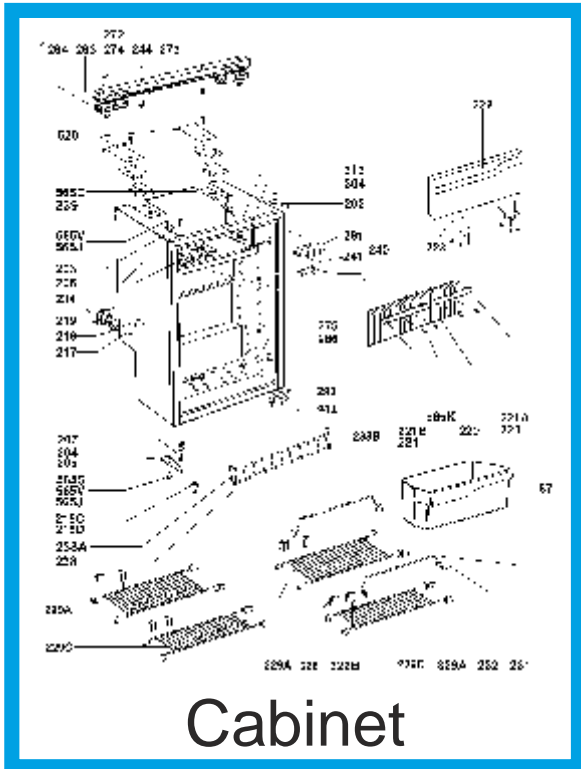
GAS / ELECTRIC

KEY	DESCRIPTION	PART NUMBER
402	GAS THERMOSTAT KNOB	CK10523
403	SELECTOR KNOB	CK10524
421	GAS VALVE / THERMOSTAT	GR10025
428	THERMOCOUPLE	GR10018
442A	SPARK LEAD RM6290	2927880548
442B	ELECTRODE + LEAD RM6291	IG10229
446	HEATER ELEMENT 12V/100W	EL10259
446	MAINS HEATER ELEMENT	EL10300
492	SELECTOR SWITCH	EL10303
498	ELECTRONIC IGNITER RM6291	IG10227
438	PIEZO IGNITER RM6290	IG10226

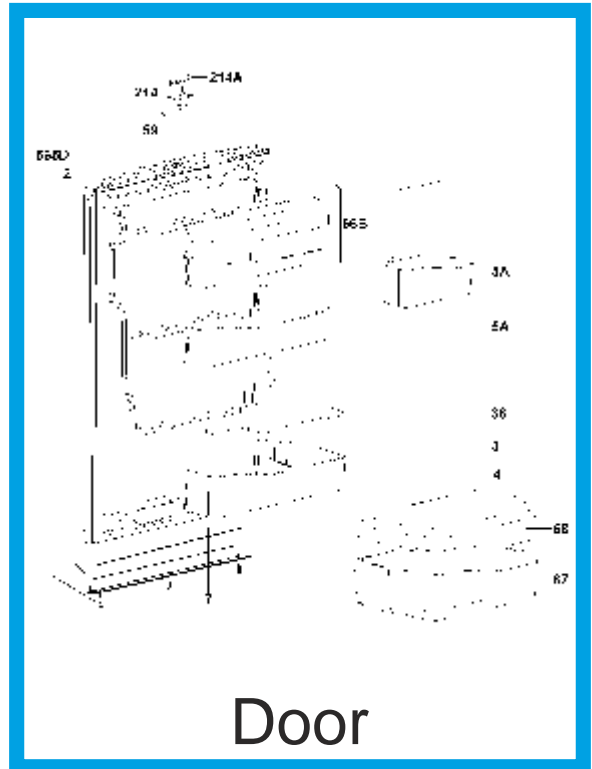
COOLING ZONE

KEY	DESCRIPTION	PART NUMBER
108	BURNER/JET/ELECTRODE	JB10069
110	JET 43	JB10070
111	SPARK ELECTRODE RM6290	IG10233

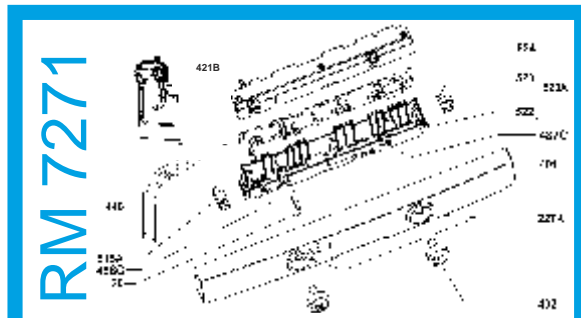
If there is anything on a schematic diagram, but not listed in the parts list, please refer to our website: www.leisurespares.co.uk or call 01423 320009 for further assistance.



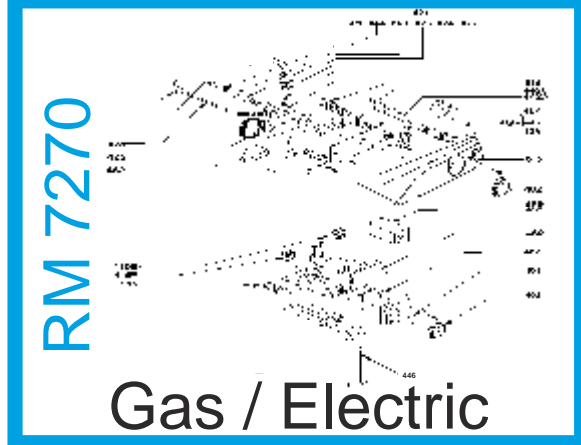
Cabinet



Door

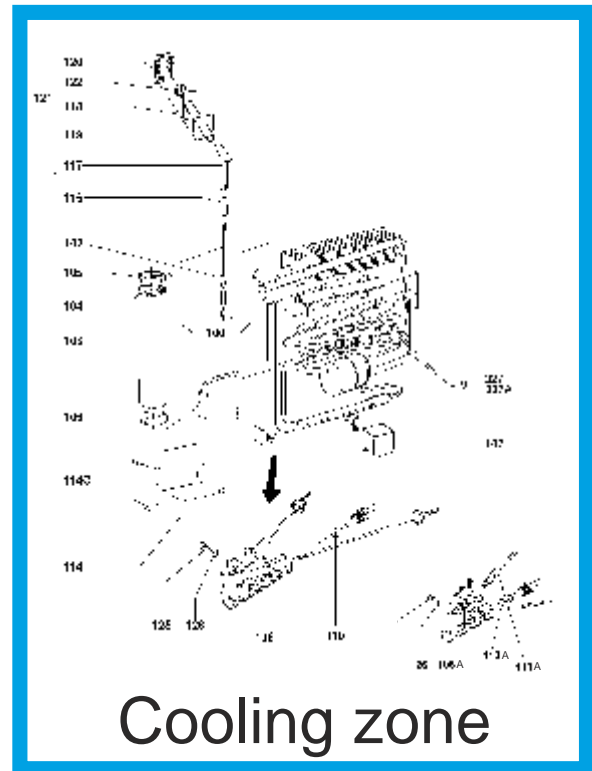


RM 7271



RM 7270

Gas / Electric



Cooling zone

CABINET

KEY	DESCRIPTION	PART NUMBER
222	FREEZER DOOR	IC10365
223	FREEZER DOOR HINGE	HI10387
229A	CABINET SHELF	IC10360
229C	CABINET SHELF	IC10359

DOOR

KEY	DESCRIPTION	PART NUMBER
3	SHELF DIVIDER	IC10372
4	BOTTLE SHELF	IC10363
5	MIDDLE SHELF	IC10367B
5A	HANGING DOOR SHELF	IC10367C
36	BOTTLE HOLDER	IC10364
66B	SHELF WITH BLUE LID	IC10363A
67	SALAD BOX BASE	IC10371A
68	SALAD BOX LID	IC10371B
214	TRAVEL CATCH COMPLETE	2412757607
214A	SLIDER TRAVEL CATCH	2412883908

GAS / ELECTRIC RM 7271

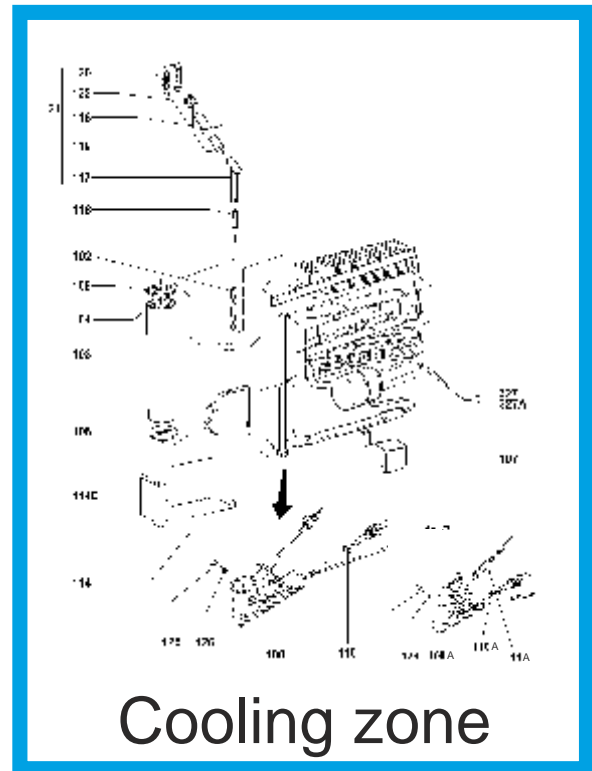
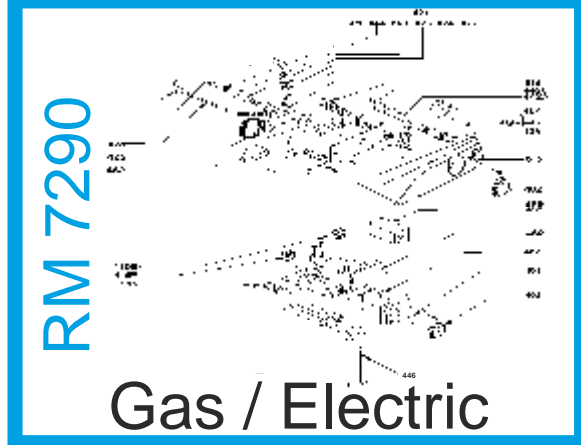
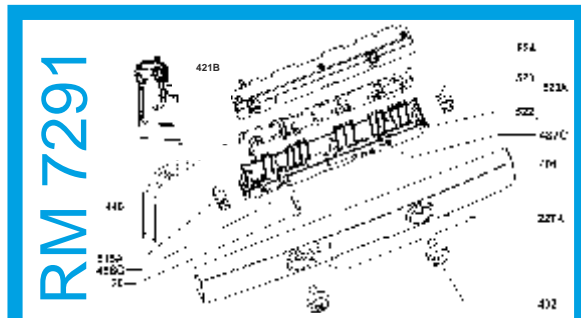
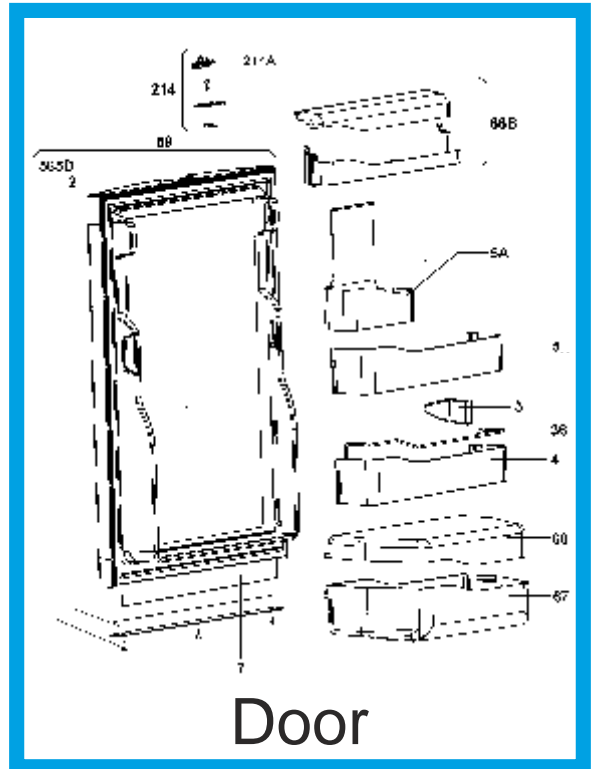
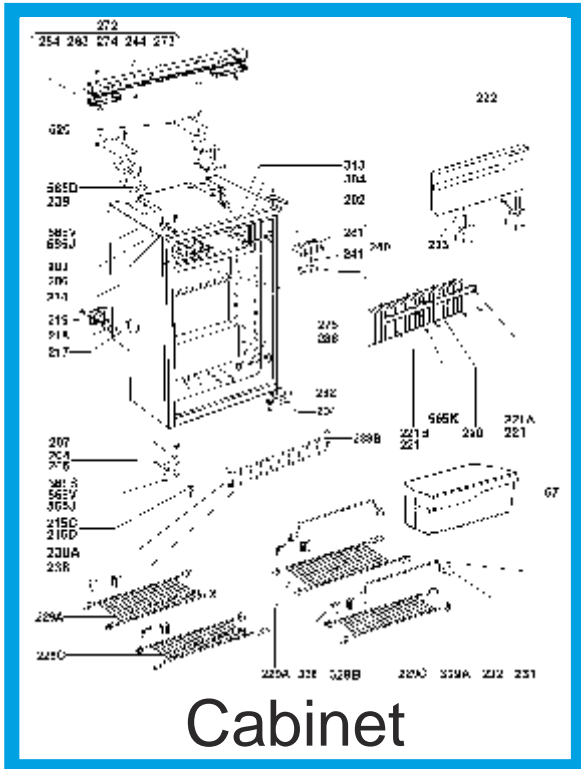
KEY	DESCRIPTION	PART NUMBER
402	CONTROL KNOB	2412787208
421B	VALVE GV100	2412798312
446	HEATING ELEMENT 12V 100W	EL10259
446	HEATING ELEMENT 230V 125W	EL10310
	ELECTRONIC IGNITER	2412789303
523A	ELECTRONIC PCB ASSEMBLY	2412771111

GAS / ELECTRIC RM 7270

KEY	DESCRIPTION	PART NUMBER
402	GAS STAT KNOB	CK10528
403	SELECTOR KNOB	2412137107
421	GAS VALVE + STAT	GR10025
428	THERMOCOUPLE	GR10018
442A	IGNITION CABLE	2927880548
446	12V HEATING ELEMENT	EL10259
446	MAINS HEATING ELEMENT	2413228004
492	SELECTOR SWITCH	EL10303
438	PIEZO IGNITER	IG10226

COOLING ZONE

KEY	DESCRIPTION	PART NUMBER
108	BURNER/ELECTRODE/SENSOR	JB10075
110	JET 45	JB10058
111A	ELECTRODE	IG10233
108A	BURNER & ELECTRODE	2923430520
110A	JET 43	JB10070



CABINET

KEY	DESCRIPTION	PART NUMBER
222	FREEZER DOOR	IC10369
223	FREEZER DOOR HINGE	HI10387
229A	CABINET SHELF	2413222601
229C	CABINET SHELF	IC10362

DOOR

KEY	DESCRIPTION	PART NUMBER
3	SHELF DIVIDER	IC10372
4	BOTTLE SHELF	IC10367D
5	MIDDLE SHELF (FULL WIDTH)	2412075109
5A	HANGING DOOR SHELF	IC10367C
36	BOTTLE HOLDER	IC10367E
66B	SHELF WITH BLUE LID	IC10377
67	SALAD BOX BASE	IC10366
68	SALAD BOX LID	IC10367
214	TRAVEL CATCH COMPLETE	TR10424
214A	SLIDER TRAVEL CATCH	2413272002

GAS / ELECTRIC RM 7291

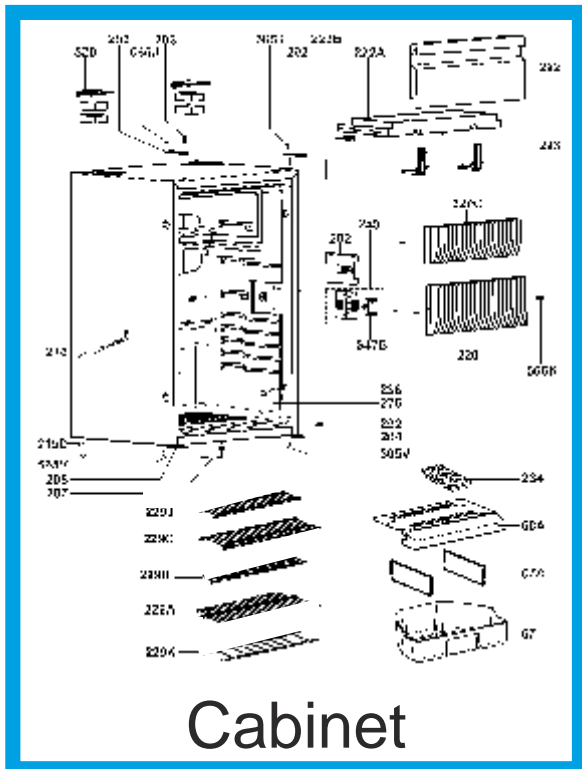
KEY	DESCRIPTION	PART NUMBER
402	CONTROL KNOB	2412787208
421B	VALVE GV100	2412798312
446	HEATING ELEMENT 12V 100W	EL10259
446	MAINS HEATING ELEMENT	EL10310
	ELECTRONIC IGNITER	2412789303
523A	ELECTRONIC PCB ASSEMBLY	2412771111

GAS / ELECTRIC RM 7290

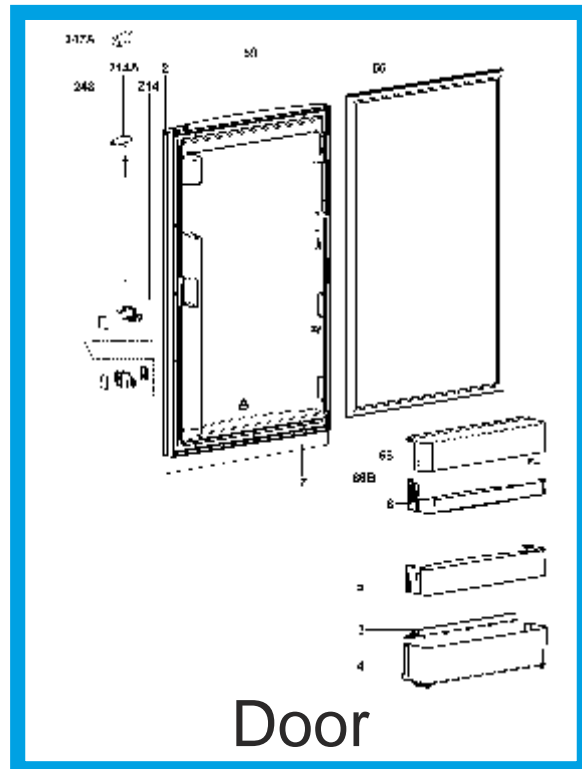
KEY	DESCRIPTION	PART NUMBER
402	GAS STAT KNOB	CK10528
403	SELECTOR KNOB	2412137107
421	GAS VALVE + STAT	GR10025
428	THERMOCOUPLE	GR10018
442A	IGNITION CABLE	2927880548
446	12V HEATING ELEMENT	EL10259
446	MAINS HEATING ELEMENT	2413228004
492	SELECTOR SWITCH	EL10303
438	PIEZO IGNITER	IG10226

COOLING ZONE

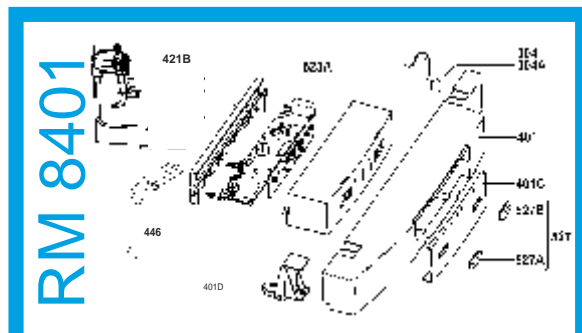
KEY	DESCRIPTION	PART NUMBER
108	BURNER/ELECTRODE/SENSOR	JB10075
110/110A	JET 43	JB10070
111A	ELECTRODE	IG10233
108A	BURNER & ELECTRODE	2923430520



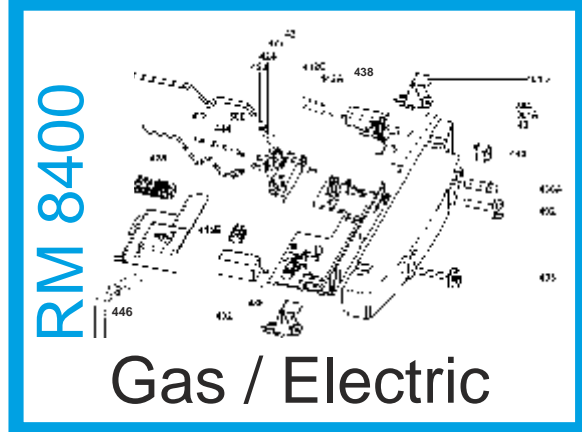
Cabinet



Door



RM 8401



CABINET

KEY	DESCRIPTION	PART NUMBER
222	FREEZER DOOR	2412116317
223	FREEZER DOOR HINGE	2412125011
222A	FREEZER CPT BASE	2413339207
240	DOOR LOCK/LIGHT ASSY	2413267010
229A	CABINET SHELF	2413379500
229C	CABINET SHELF	2413375706
67	SALAD BOX	2413393006
67A	SALAD BOX DIVIDER	2413377108

DOOR

KEY	DESCRIPTION	PART NUMBER
3	BOTTLE RETAINER	2951237029
4	BOTTLE SHELF	2413341104
5	MIDDLE SHELF	2413342102
66B	UPPER SHELF CPT	2413938107
56	DOOR SEAL	2413278132
214	DOOR LOCK	2413946308
214A	BUTTON DOOR LOCK	2413260205

GAS / ELECTRIC RM 8401

KEY	DESCRIPTION	PART NUMBER
421B	GAS VALVE GV100	2412798312
446	MAINS HEATING ELEMENT	2413229416
446	12V HEATING ELEMENT	EL10295A
	SPARK GENERATOR BOX	2412789303
523A	MAIN PCB	2413490000
527	BUSH BUTTON KIT	2413933918

GAS / ELECTRIC RM 8400

KEY	DESCRIPTION	PART NUMBER
402	THERMOSTAT CONTROL KNOB	2413383007
403	SELECTOR KNOB	2413382009
421	GAS VALVE & STAT	GR10025
428	THERMOCOUPLE	GR10018
438	BATTERY IGNITER	2923024810
442A	IGNITION CABLE	2927880548
446	MAINS HEATING ELEMENT	2413229317
446	12V HEATING ELEMENT	EL10295A
492	SELECTOR SWITCH	EL10303

COOLING ZONE

KEY	DESCRIPTION	PART NUMBER
108	BURNER/ELECTRODE/SENSOR	JB10075
110/110A	JET NO 43	JB10070
108A	BURNER & ELECTRODE	2923430520
111A	ELECTRODE	IG10233

CABINET

KEY	DESCRIPTION	PART NUMBER
222	FREEZER DOOR	2412195311
223	FREEZER DOOR HINGE	2412125011
222A	FREEZER CPT BASE	2413339009
240	DOOR LOCK/LIGHT ASSY	2413267010
229A	CABINET SHELF	2413379302
229C	CABINET SHELF	2413375508
67	SALAD BOX	2413369006
67A	SALAD BOX DIVIDER	2413377108

DOOR

KEY	DESCRIPTION	PART NUMBER
3	BOTTLE RETAINER	2951237029
4	BOTTLE SHELF	2413341005
5	MIDDLE SHELF	2413342003
66B	UPPER SHELF CPT	2413938008
56	DOOR SEAL	2413010030
214	DOOR LOCK	2413946308
214A	BUTTON DOOR LOCK	2413260205

GAS / ELECTRIC RM 8501

KEY	DESCRIPTION	PART NUMBER
421B	GAS VALVE GV100	2412798312
446	MAINS HEATING ELEMENT	2413229416
446	12V HEATING ELEMENT	EL10295A
	SPARK GENERATOR BOX	2412789303
523A	MAIN PCB	2413490000
527	BUSH BUTTON KIT	2413933918

GAS / ELECTRIC RM8500

KEY	DESCRIPTION	PART NUMBER
402	THERMOSTAT CONTROL KNOB	2413383007
403	SELECTOR KNOB	2413382009
421	GAS VALVE & STAT	GR10025
428	THERMOCOUPLE	GR10018
438	BATTERY IGNITER	2923024810
442A	IGNITION CABLE	2927880548
446	MAINS HEATING ELEMENT	2413229317
446	12V HEATING ELEMENT	EL10295A
492	SELECTOR SWITCH	EL10303

COOLING ZONE

KEY	DESCRIPTION	PART NUMBER
108	BURNER/ELECTRODE/SENSOR	JB10075
110/110A	JET NO 43	JB10070
108A	BURNER & ELECTRODE	2923430520
111A	ELECTRODE	IG10233

Part number: 2412757607

7 series travel catch assy. Points forward & fits fridges with a single curved door, or two flat doors.
Slider only: 2412883908



Part number: 2412883908

7 series slider only. Points forward & fits fridges with a single curved door or two flat doors.
Full catch: 2412757607



Part number: 2412883973

7 series black slider only. Points forward & fits fridges with a single curved door, or two flat doors.



Part number: 2413272002

7 series slider only. Points up & fits fridges with a single flat door or a single curved door & flat control panel.
Full catch: TR10424



Part number: TR10424

7 series complete catch assy. Points up & fits fridges with a single flat door, or single curved door & flat control panel.
Slider only: 2413272002



Part number: 2413272077

7 series black slider only. Points up & fits fridges with a single flat door, or a single curved door & flat control panel.



Part number: 2890119007

7 series slider only. Points forward and fits fridges with two curved doors.
Full catch: TR10428



Part number: TR10428

7 series complete catch assy. Points forward & fits fridges with two curved doors.
Slider only: 2890119007



Part number: 2890119072



7 series black slider only. Points forward & fits fridges with two curved doors.

Part number: TR10406



2 series door pin

Part number: TR10414



4 series catch

Part number: TR10415



4 series catch

Part number: TR10417



4 series quick release catch

Part number: TR10420



7 series catch

Part number: TR10420A



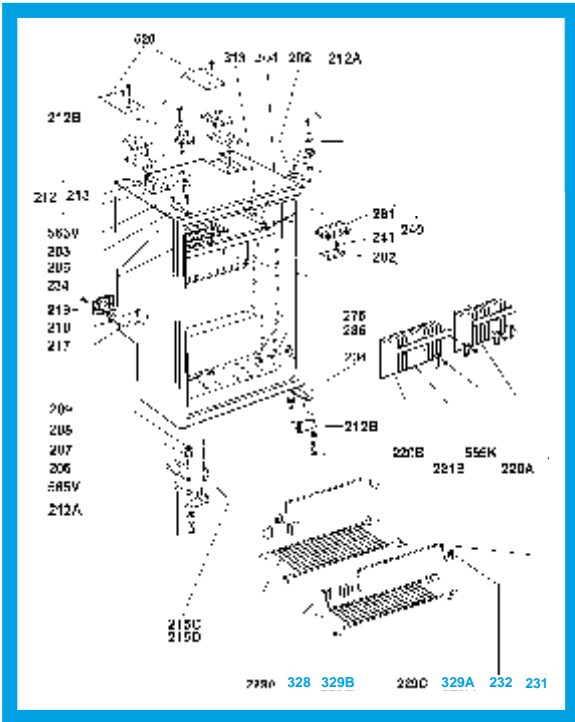
7 series catch bracket

Part number: TR10422A



6 series pair of catches. Swivel type, one can be fitted at the top & bottom of the door.

CABINET PARTS



KEY	DESCRIPTION	PART NUMBER
231	UPSTAND	IC10362A
232	HOLDER BRACKET 2 PER SHELF	MI10471
328	SHELF FITTING 4 PER SHELF	MI10472
329A	RH SHELF PLUG 2 PER SHELF	MI10473
359B	LH SHELF PLUG 2 PER SHELF	MI10473A

If there is anything on a schematic diagram, but not listed in the parts list, please refer to our website: www.leisurespares.co.uk or call 01423 320009 for further assistance.

DOMETIC VENTS: A1620



Vent dimensions
 Cutout dimensions = 156 x 451 mm
 External dimensions = 185 x 479mm

The A1620 vent can be ordered as a full kit (top & bottom vents) including winter covers in either white or cream:
Part number: VS10158 (white)
Part number: VS10159 (cream)

Winter covers can be ordered separately, in either white or cream:
Part number: VS10160 (white)
Part number: VS10161 (cream)

Vent dimensions

Cutout dimensions = 273 X 514mm
 External dimensions = 277 X 518mm

The L300 vent can be ordered as a full kit including the frame, vent grill & winter cover, in white only:

Part number: LS300 (white)

The winter cover can be ordered separately, in white only:

Part number: LS300WC (white)



For any parts not found within these pages, please refer to our website: www.leisurespares.co.uk or call 01423 320009 for further assistance

Vent dimensions

Cutout dimensions = 341 x 451mm
 External dimensions = 371 x 479mm

The L500 vent can only be ordered as separate items, in white only:

Part no: 2933078053 (Frame)

Part no: 2933076586 (vent grill)

Part no: 2952105118 (winter cover)

2x winter covers are required per vent





DOMETIC PRODUCTS

The Dometic group cover the following brands:

Dometic SMEV

Dometic CRAMER

Dometic SEITZ

WAECO

Their vast product range includes fridges, hobs, cookers, roof lights, windows, reversing cameras and power supplies.

As well as being the approved main stockist, of a wide range of out of warranty spares, we are also able to supply full products from this fantastic range.

You can use the Dometic website www.dometic.co.uk as a way of identifying the product you are interested in, or for researching any product specifications you, or your customer may need. Once you have the product reference number you can contact our office for price, availability and / or ordering.

Phone: 01423 320009

Fax: 01423 320006

Email: sales@leisurespares.co.uk





Spi 1-16

Popular cookers & hobs

Spi 17

Door seals & inner glass

Spi 18

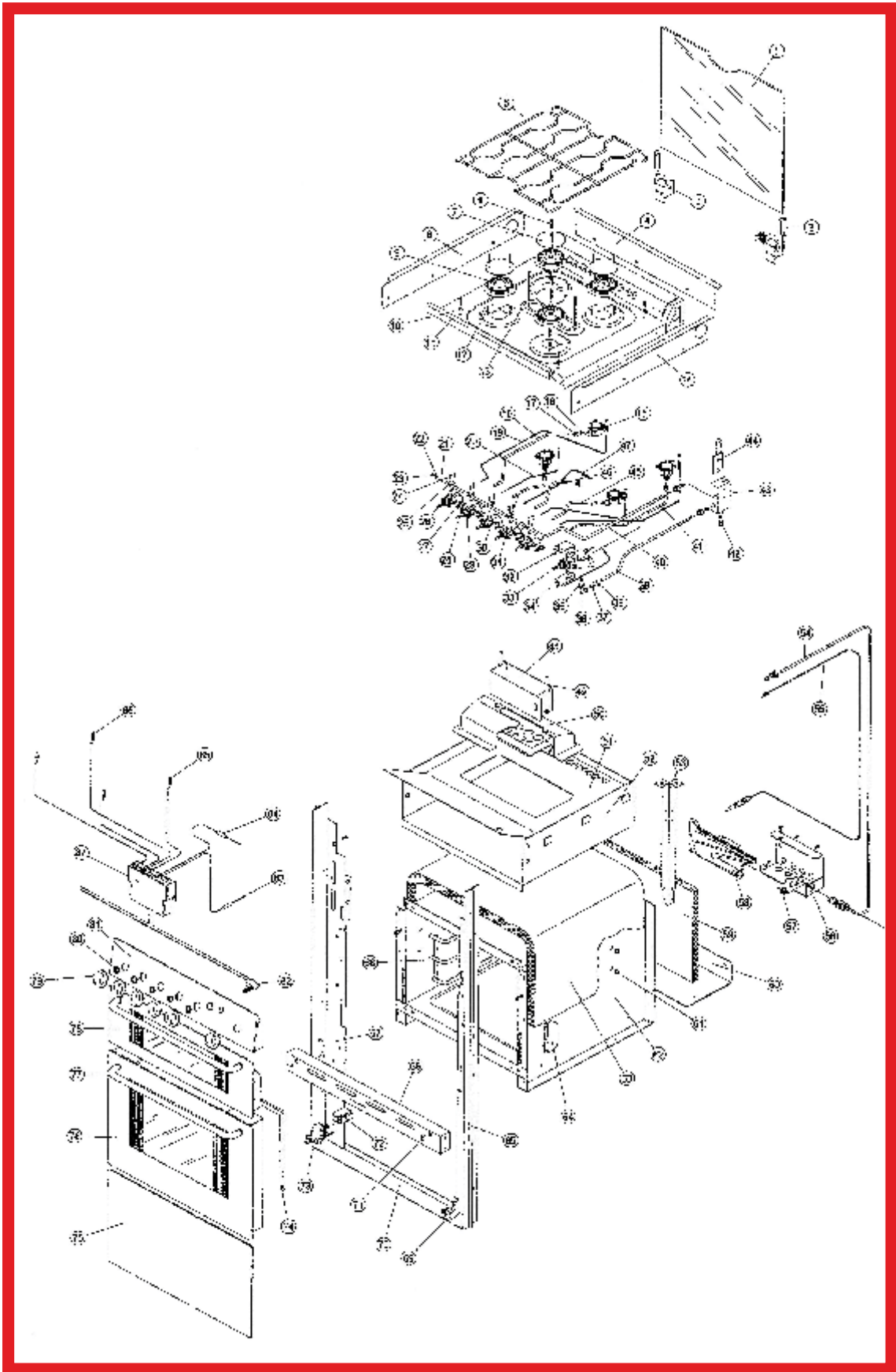
Oven shelves & glass lids

Spi 19-20

Control knobs

Spi 21-23

Common popular parts

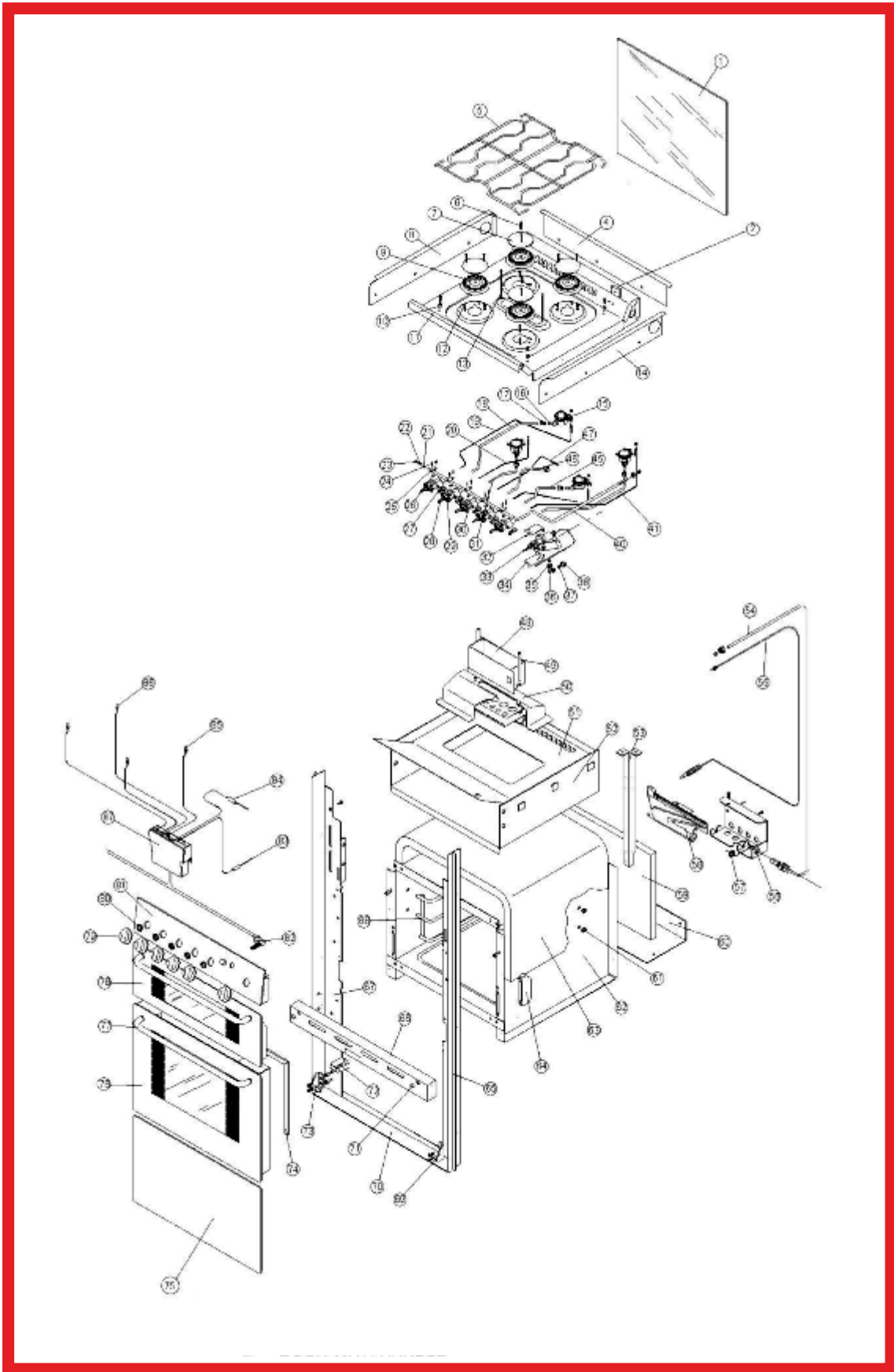


KEY	PART NUMBER	DESCRIPTION
1	GL6060	GLASS LID & HINGE ARMS
2	MCC2051	RH HINGE ASSY
	MCO2052	RH HINGE ARM (USUALLY BONDED TO GLASS)
3	MCC2050	LH HINGE ASSY
	MCO2053	LH HINGE ARM (USUALLY BONDED TO GLASS)
4	MCO2065/3.BK	BACK HOB TRIM (BLACK)
5	PCC0628	CHROME PAN SUPPORT
6	PCC0815	BURNER CAP SCREW
7	PCC0813	BURNER CAP
8	MCO2065/1.BK	LEFT HAND HOB TRIM (BLACK)
9	PCC0812	BURNER SKIRT & SPREADER
10	PCC0647	PAN SUPPORT CLIP
12	PCC0814	BURNER CAP FIXING STUD
13	PCX0207.BK	SCREW M4 X 90
14	MCO2065/2.BK	RIGHT HAND HOB TRIM (BLACK)
15	PCC0797	BURNER CUP & INJECTOR
19	PCC1168	REAR HOB THERMOCOUPLE 450MM
20	PCC1163	FRONT HOB THERMOCOUPLE 220MM
29	PCC0718	HOB GAS TAP
30	PCC0719	GRILL GAS TAP
33	PCO0452	OVEN THERMOSTAT & GAS TAP
47	PCC1155	GRILL THERMOCOUPLE
50	MAC0052	GRILL BURNER ASSEMBLY
55	PCO0159	OVEN THERMOCOUPLE 1400MM
58	MAO0064	OVEN BURNER ASSY
61	PCX0184	STARLOCK WASHER 5MM
68	PCO0282	OVEN SHELF SUPPORT
69	MCO0684	LH HINGE LOWER DOOR
73	MCO0685	RH HINGE LOWER DOOR
74	PCO0649	OVEN DOOR SEAL
82	PCC1420	MICRO IGNITION SWITCH & BUTTON
83	PCC1428	OVEN ELECTRODE & LEAD 600MM
84	PCC1418	GRILL ELECTRODE & LEAD 300MM
85	PCC1453	HOB ELECTRODE & LEAD 300MM
86	PCC1455	HOB ELECTRODE & LEAD 600MM
87	PCC1399	SPARK GENERATOR
	PCO0285	OVEN SHELF 39CM WIDE
	MAC0104	GRILL PAN HANDLE & TRIVET

FOR ANY DOORS, FACIAS OR HOB PRESSINGS PLEASE CONTACT
OUR OFFICE WITH BOTH "OH" NUMBERS AND/OR THE SERIAL
NUMBER

01423 320009

www.leisurespares.co.uk

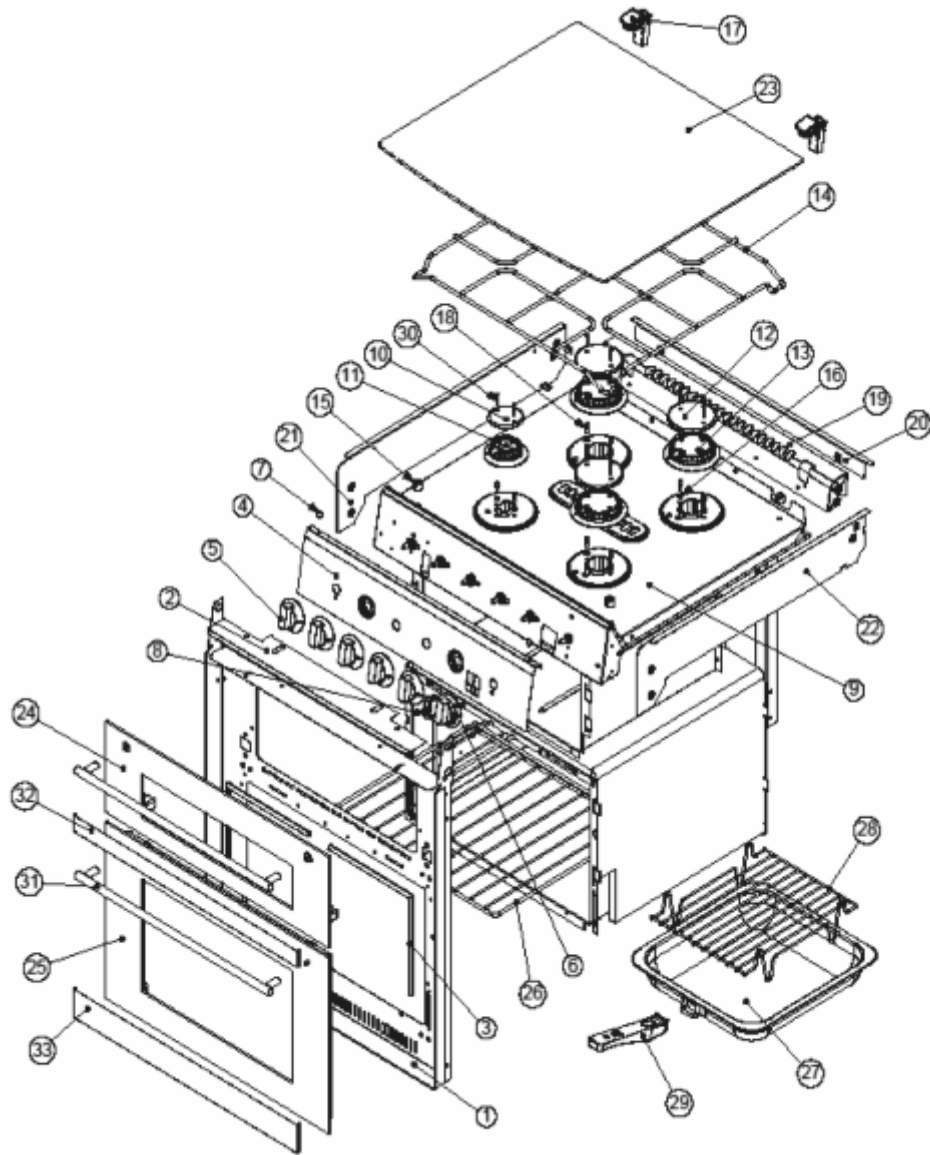


KEY	PART NUMBER	DESCRIPTION
1	G990.BK	GLASS LID
2	PCC2005.BK	RH / LH HINGE FOR LID
4	MCO2065/3.BK	REAR HOB TRIM (BLACK)
5	PCC0628	CHROME PAN SUPPORT
	PCC0668	DUAL FUEL PAN SUPPORT
6	PCC0815	BURNER CAP SCREW
7	PCC0813	BURNER CAP
8	MCO2065/1.BK	LEFT HAND HOB TRIM (BLACK)
9	PCC0812	BURNER SKIRT AND SPREADER
10	PCC0647	PAN SUPPORT CLIP
12	PCC0814	BURNER CAP FIXING STUD
13	PCX0207	SCREW M4 X 90mm
14	MCO2065/2.BK	RIGHT HAND HOB TRIM (BLACK)
15	PCC0797	BURNER CUP AND INJECTOR
19	PCC1168	REAR HOB THERMOCOUPLE 450mm
20	PCC1163	FRONT HOB THERMOCOUPLE 220mm
29	PCC0718	HOB GAS TAP
30	PCC0719	GRILL GAS TAP
33	PCO0452	OVEN GAS VALVE & THERMOSTAT
47	PCC1155	GRILL THERMOCOUPLE
50	MAC0052	GRILL BURNER ASSEMBLY
55	PCO0159	OVEN THERMOCOUPLE
58	MAO0064	OVEN BURNER ASSEMBLY
61	PCX0184	STARLOCK WASHER 5MM
68	PCO0282	OVEN SHELF SUPPORT
69	MCO0684	L.H. HINGE LOWER DOOR
73	MCO0685	R.H. HINGE LOWER DOOR
74	PCO0649	OVEN DOOR SEAL
82	PCC1420	MICRO IGNITION SWITCH & BUTTON
83	PCC1428	ELECTRODE & LEAD OVEN 600mm
84	PCC1418	GRILL ELECTRODE & LEAD 300mm
85	PCC1453	FRONT HOB ELECTRODE & LEAD 300mm
86	PCC1455	REAR HOB ELECTRODE & LEAD 600mm
87	PCC1399	SPARK GENERATOR
	PCC0915	ELECTRIC HOTPLATE 2040E DUAL FUEL
	PCC0614	HOTPLATE KNOB 2040E DUAL FUEL
	PCC0948	HOTPLATE SWITCH 2040E DUAL FUEL
	PCC0970	INDICATOR LIGHT 2040E DUAL FUEL
	PCO0138	DOOR CATCH STUD
	PCO0140	DOOR CATCH
	PCO0285	OVEN SHELF
	PCO0535	OVEN INNER GLASS
	MAC0104	GRILL PAN, HANDLE & TRIVET

FOR ANY DOORS, FACIAS OR HOB PRESSINGS PLEASE CONTACT
OUR OFFICE WITH BOTH "OH" NUMBERS AND/OR THE SERIAL
NUMBER

01423 320009

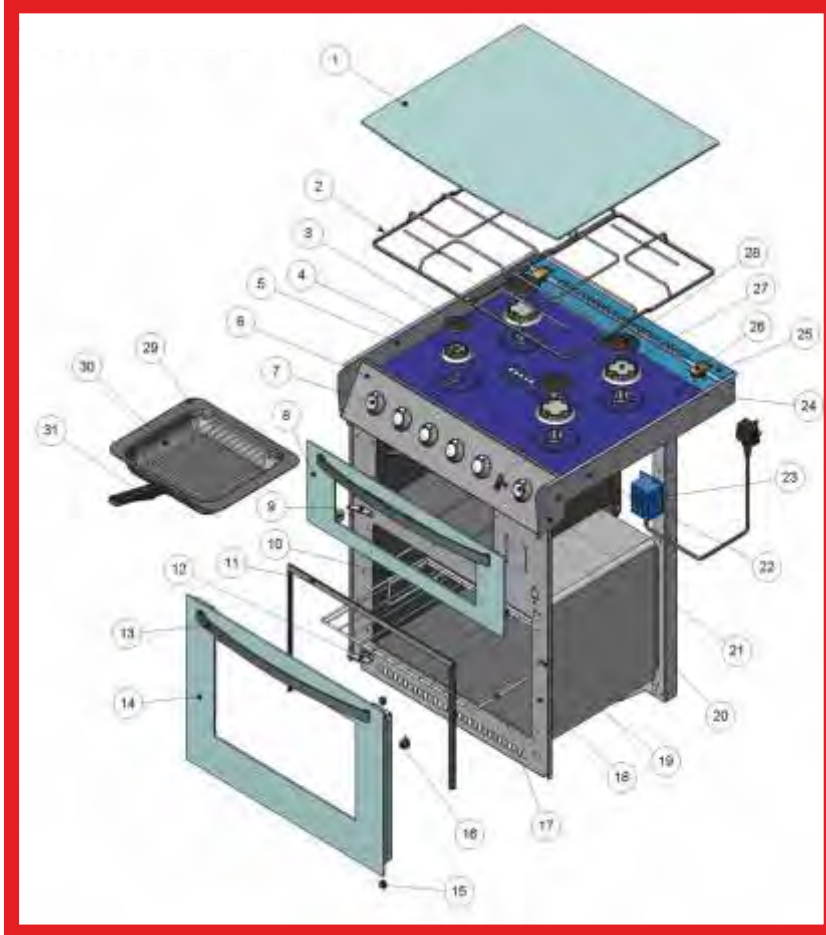
www.leisurespares.co.uk



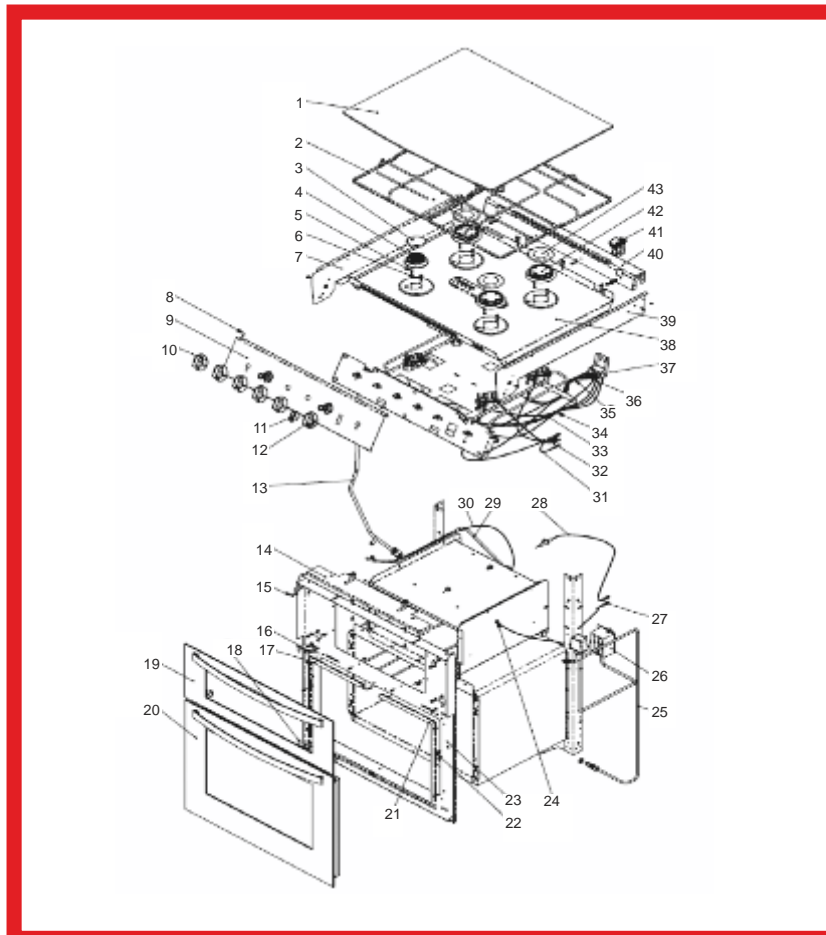
KEY	PART NUMBER	DESCRIPTION	
3	PCO0649	ONE PART OVEN DOOR SEAL	
3	PCO0246	2 PART DOOR SEAL (2 REQ PER COOKER)	
10	PCC0825	AUXILIARY BURNER CAP	
11	PCC0824	AUXILIARY BURNER SKIRT	
12	PCC0813	BURNER CAP	
13	PCC0812	BURNER SKIRT	
14	PCC0688	CHROME PAN SUPPORT	
15	PCC0647	PAN SUPPORT CLIP (SCREW TYPE)	
17	PCC2005.BK	RH/LH HINGE FOR LID	
20	MCO3267.BK	REAR HOB TRIM (BLACK)	
21	MCO3465.BK	LEFT HAND HOB TRIM (BLACK)	
22	MCO3466.BK	RIGHT HAND HOB TRIM (BLACK)	
23	G990.BK	GLASS LID	
26	PCO0292	OVEN SHELF	
30	PCC0815	BURNER CAP SCREW	
	PCC0797	BURNER CUP & INJECTOR	
	PCC0798	AUX BURNER CUP AND INJECTOR	
	PCC1167	HOB THERMOCOUPLE 320mm (SCREW)	PCC1132 (SPADE TYPE)
	PCC1163	HOB THERMOCOUPLE 220MM (SCREW)	PCC1130 (SPADE TYPE)
	PCC0718	HOB GAS TAP (SCREW TYPE)	PCC0728 (SPADE TYPE)
	PCC0719	GRILL GAS TAP (SCREW TYPE)	PCC0729 (SPADE TYPE)
	PCO0452	OVEN GAS TAP AND STAT (SCREW TYPE)	PCO0472 (SPADE TYPE)
	PCC1155	GRILL THERMOCOUPLE (SCREW)	PCC1125 (SPADE TYPE)
	MAC0056	GRILL BURNER (NO SHROUD)	
	PCO0159	OVEN THERMOCOUPLE 1000MM (SCREW)	PCC1120 (SPADE TYPE)
	MAO0064	OVEN BURNER ASSEMBLY	
	PCO0282	OVEN SHELF SUPPORT	
	PCC1340	ROCKER IGNITION SWITCH	
	PCC1430	ELECTRODE & LEAD 650MM OVEN	
	PCC1418	ELECTRODE & LEAD 300MM GRILL	
	PCC1455	ELECTRODE & LEAD 600MM HOB	
	PCC1457	ELECTRODE & LEAD 900MM HOB	
	PCC1399	SPARK GENERATOR	
	MAC0104	GRILL PAN / HANDLE / TRIVET	

FOR ANY DOORS, FACIAS OR HOB PRESSINGS PLEASE
CONTACT OUR OFFICE WITH BOTH "OH" NUMBERS AND/OR
THE SERIAL NUMBER
01423 320009
www.leisurespares.co.uk

OH96000

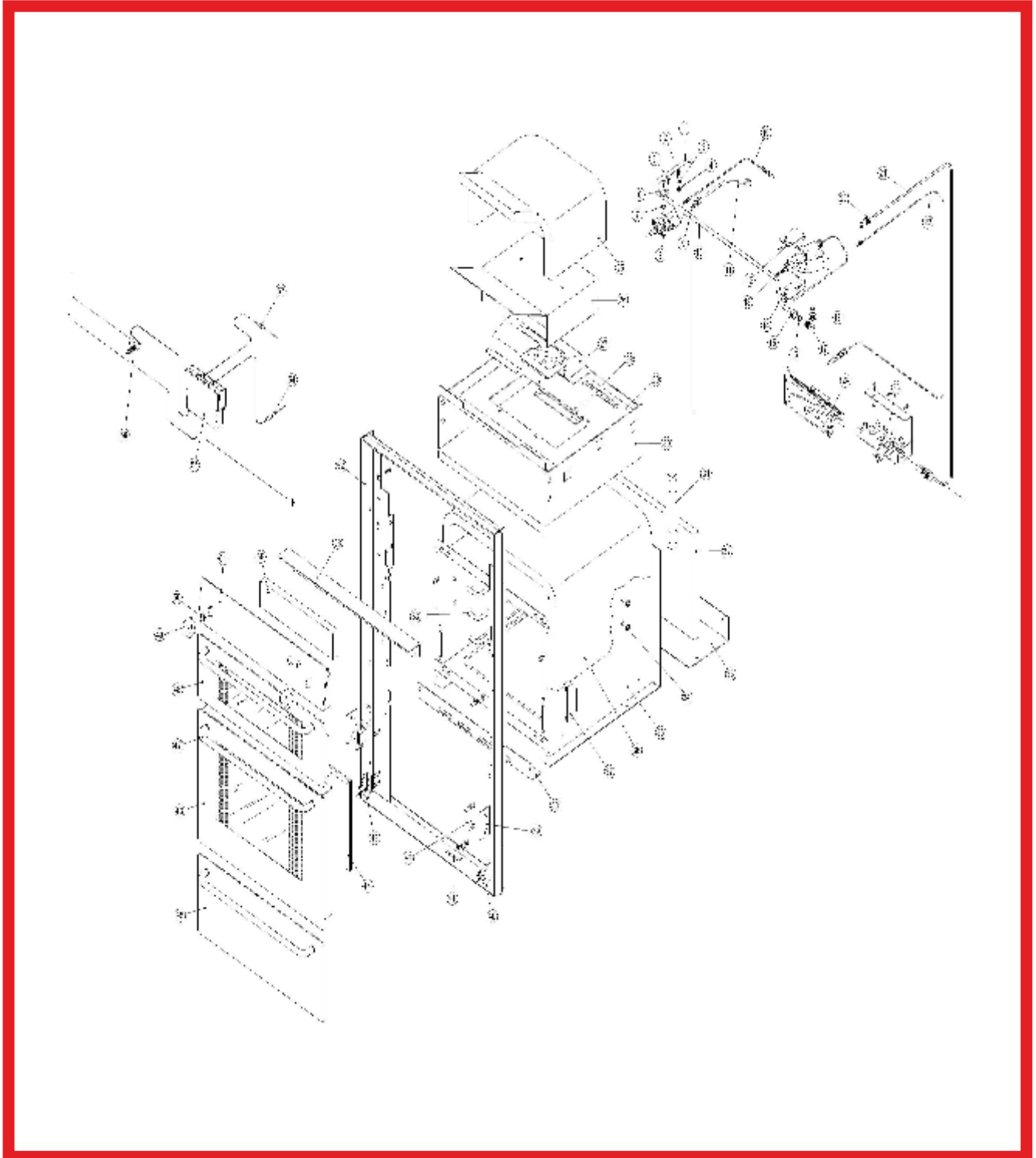


OH46000



KEY	PART NUMBER	DESCRIPTION	
1	G900.BK	GLASS LID	
2	PCC0681.EN	PAN SUPPORT (2 PER COOKER)	
3	PCC0823	AUXILIARY BURNER CAP	
4	PCC0822	AUXILIARY FLAME SPREADER	
11	PCO0248	OVEN DOOR SEAL	
13	PCO0454	OVEN GAS TAP & THERMOSTAT	PCO0474 (SPADE TYPE)
17	PCO0295	OVEN SHELF	
	MAC0052	GRILL BURNER & HOOD	
	MAC0056	GRILL BURNER (NO HOOD)	
20	PCC1420	IGNITION SWITCH & BUTTON	
20	PCC1340	ROCKER IGNITION SWITCH	
23	PCC1391	SPARK GENERATOR	
26	PCC2005.BK	GLASS LID HINGE	
27	PCC0802	FLAME SPREADER	
28	PCC0803	BURNER CAP	
	MAO0064	OVEN BURNER	
	PCO0159	OVEN THERMOCOUPLE (SCREW TYPE)	PCC1121 (SPADE TYPE)
	PCC1164	GRILL THERMOCOUPLE (SCREW TYPE)	PCC1125 (SPADE TYPE)
	PCC0798	AUXILIARY BURNER CUP AND JET	
	PCC0797	BURNER CUP AND JET	
	PCC1168	HOB THERMOCOUPLE 450mm	PCC1130 (SPADE TYPE)
	PCC1163	HOB THERMOCOUPLE 220mm	PCC1132 (SPADE TYPE)
	PCC0718	HOB BURNER TAP (SCREW TYPE)	PCC0728 (SPADE TYPE)
	PCC0719	GRILL TAP (SCREW TYPE)	PCC0729 (SPADE TYPE)
	PCC1456	HOB ELECTRODE & LEAD 1200mm	
	PCC1430	OVEN ELECTRODE & LEAD 600mm	
	PCC1419	GRILL ELECTRODE & LEAD 1500mm	
	PCC1455	HOB ELECTRODE & LEAD 600mm	
	PCC1453	HOB ELECTRODE & LEAD 300mm	
	PCC0500	SHUT OFF VALVE	

KEY	PART NUMBER	DESCRIPTION
1	G900.BK	GLASS LID
2	PCC0681.EN	PAN SUPPORT (2 PER COOKER)
3	PCC0823	AUXILIARY BURNER CAP
4	PCC0822	AUXILIARY FLAME SPREADER
11	PCC1340	ROCKER SWITCH
	PCC0728	HOB GAS TAP
	PCC0729	GRILL GAS TAP
	PCO0474	OVEN GAS TAP & THERMOSTAT
17	PCO0250	LEFT HAND DOOR SEAL
21	PCO0251	RIGHT HAND DOOR SEAL
24	PCC1121	OVEN THERMOCOUPLE 1300mm
26	PCC1391	SPARK GENERATOR
27	PCC1430	ELECTRODE & LEAD 650mm (OVEN)
28	PCC1417	ELECTRODE & LEAD 450mm (GRILL)
30	PCC1125	GRILL THERMOCOUPLE 600mm
35	PCC1130	HOB THERMOCOUPLE 250mm
36	PCC1132	HOB THERMOCOUPLE 450mm
41	PCC2003.BK	GLASS LID HINGE
42	PCC0802	FLAMESPREADER
43	PCC0803	BURNER CAP
	MAO0064	OVEN BURNER
	MAC0056	GRILL BURNER
	PCC0775	JET 62 (Grill & Hob)
	PCC0770	JET 65 (oven)
	PCO0295	OVEN SHELF
	PCC1453	ELECTRODE & LEAD 300mm (HOB)
	PCC1455	ELECTRODE & LEAD 600mm (HOB)

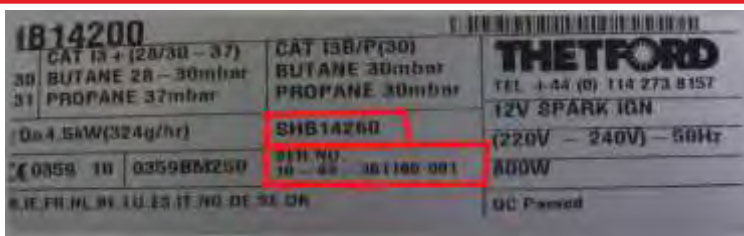


OVEN & GRILL ONLY - NO HOB

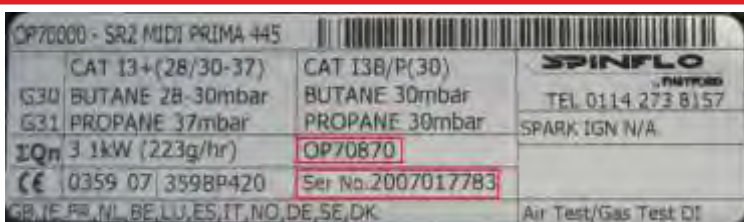
KEY	PART NUMBER	DESCRIPTION	
8	PCC0719	GRILL GAS TAP (SCREW TYPE)	PCC0729 (SPADE TYPE)
13	PCO0452	OVEN GAS TAP & STAT (SCREW TYPE)	PCO0472 (SPADE TYPE)
19	PCC1155	GRILL THERMOCOUPLE 300mm (SCREW)	
19	PCC1164	GRILL THERMOCOUPLE 600mm (SCREW)	PCC1125 (SPADE TYPE)
22	PCO0159	OVEN THERMOCOUPLE 1400mm (SCREW)	PCC1120 (SPADE TYPE)
24	MAO0064	OVEN BURNER & BRACKET	
27	MAC0052	GRILL BURNER	
40	MCO0685	R/H PAN DOOR HINGE	
43	MCO0684	L/H PAN DOOR HINGE	
44	PCO0649	DOOR SEAL	
54	PCC1430	OVEN ELECTRODE & LEAD	
55	PCC1399	SPARK GENERATOR BOX	
56	PCC1420	MICRO IGNITION SWITCH & BUTTON	
57	PCC1418	GRILL ELECTRODE & LEAD	
	PCO0285	OVEN SHELF (39cm WIDE)	
	PCO0292	OVEN SHELF (37cm WIDE)	
	PCO0980	OVEN LIGHT ASSEMBLY	
	PCC1340	ROCKER IGNITION SWITCH	
	PCC1341	ROCKER LAMP SWITCH	
	MAC0104	GRILL PAN / HANDLE / TRIVET	

FOR ANY DOORS, FACIAS OR HOB PRESSINGS PLEASE CONTACT OUR OFFICE WITH BOTH "OP" NUMBERS AND/OR THE SERIAL NUMBER
01423 320009
www.leisurespares.co.uk

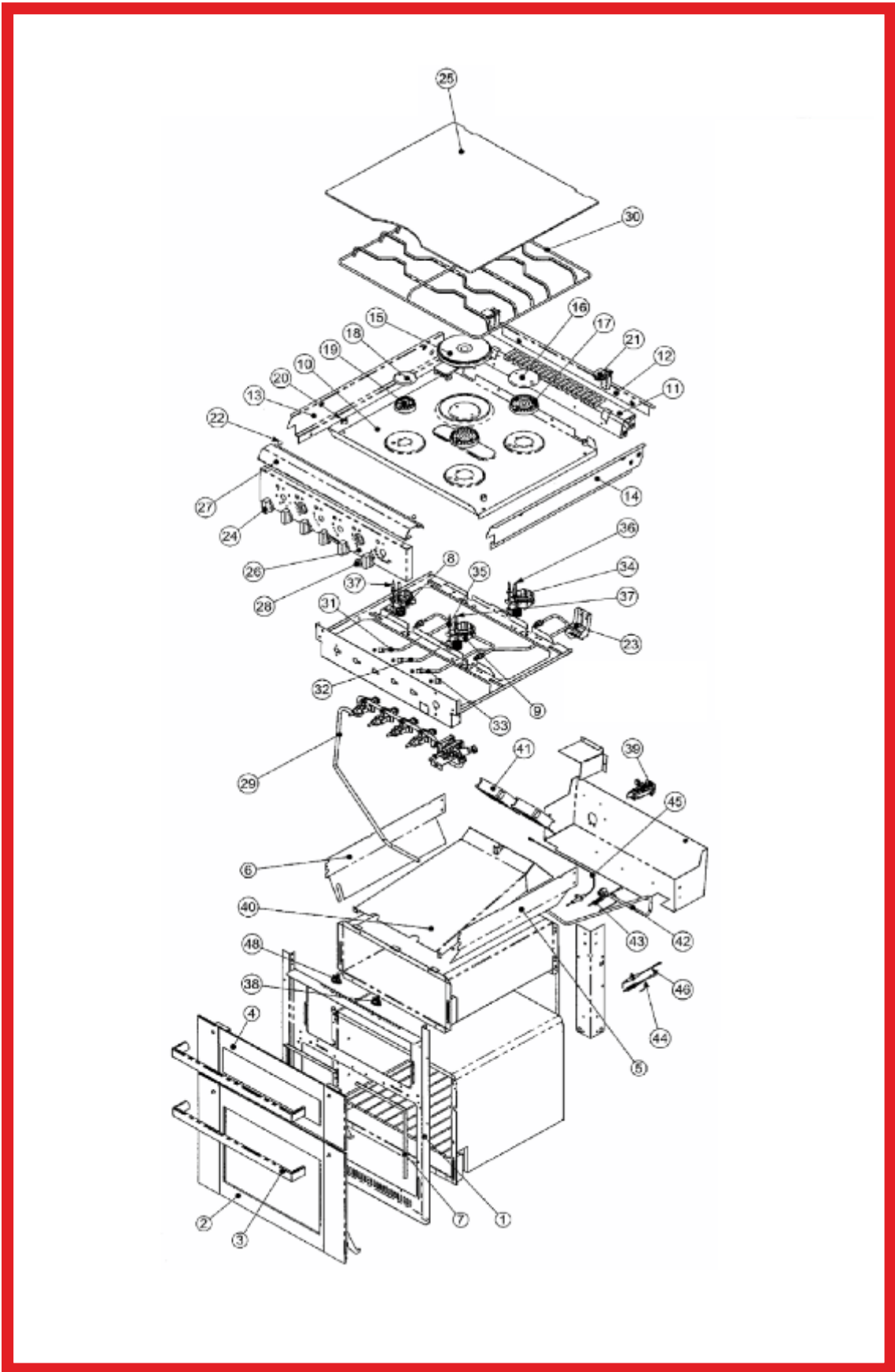
SERIAL NUMBERS



New style data plate, 2010 onwards. Both the serial number & the model number will be needed for any doors, facias or hob pressings.



Pre 2010 data plate. Both the serial number and the "OH" or "OP" number will be needed for any doors, facias or hob pressings.

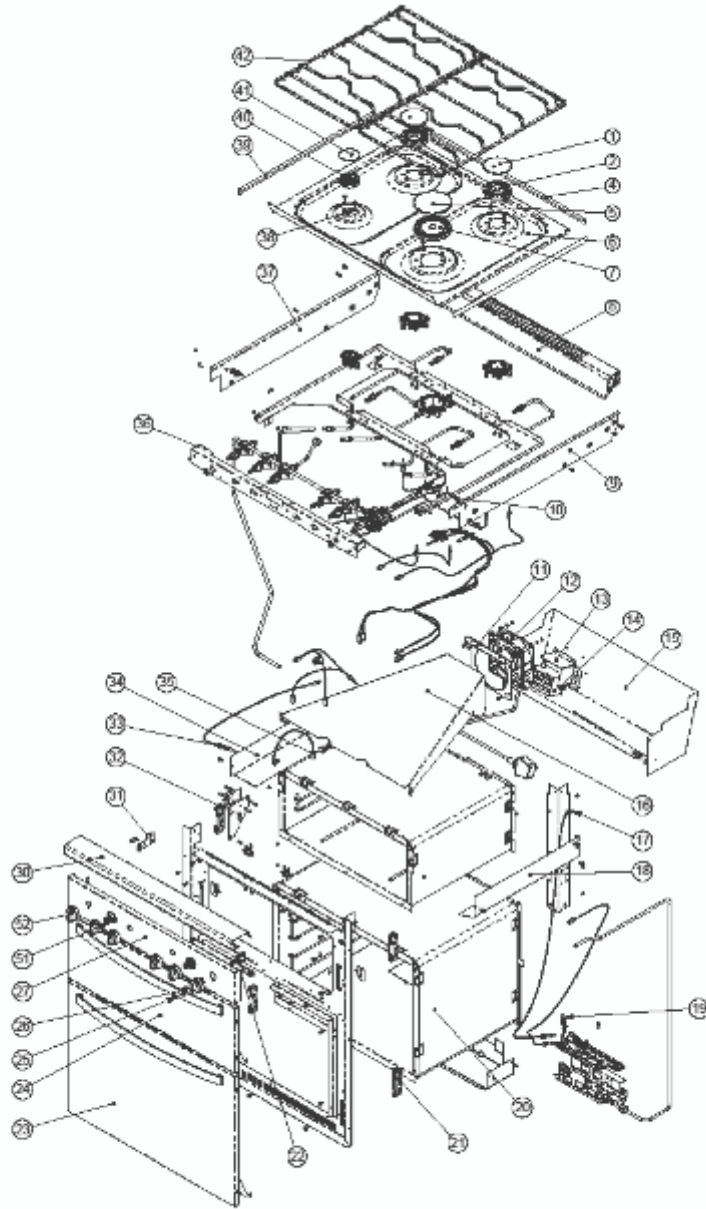


KEY	PART NUMBER	DESCRIPTION
7	PCO0246	2 PART DOOR SEAL (2 REQ PER COOKER)
11	MCO4163.BK	REAR HOB GRILL / TRIM (BLACK)
12	MCO4164.BK	REAR HOB TRIM (BLACK)
13	MCO4165.BK	LEFT HOB TRIM (BLACK)
14	MCO4166.BK	RIGHT HOB TRIM (BLACK)
15	PCC0914	ELECTRIC HOTPLATE
16	PCC0813	BURNER CAP
17	PCC0811	FLAME SPREADER
18	PCC0825	AUXILIARY BURNER CAP
19	PCC0827	AUXILIARY FLAME SPREADER
20	PCC0647	PAN SUPPORT CLIP
21	PCC2003.BK	GLASS LID HINGE (SOLD INDIVIDUALLY)
23	MAC3120	SHUT OFF SWITCH (4 GANG)
25	G998.BK	GLASS LID
	PCC0728	HOB GAS TAP
	PCC0729	GRILL GAS TAP
	PCO0472	OVEN GAS TAP & THERMOSTAT
30	PCC0692.EN	PAN SUPPORT
34	PCC1110	HOB THERMOCOUPLE 320MM
35	PCC1112	HOB THERMOCOUPLE 600MM
36	PCC1455	HOB ELECTRODE & LEAD 600MM
37	PCC1457	HOB ELECTRODE & LEAD 900MM
43	PCC1123	GRILL THERMOCOUPLE 740MM
44	PCC1121	OVEN THERMOCOUPLE 1300MM
45	PCC1418	GRILL ELECTRODE & LEAD 300MM
46	PCC1430	OVEN ELECTRODE & LEAD 650MM
	G1090	INNER DOOR GLASS
	MAO0064	OVEN BURNER ASSEMBLY
	PCC1397	SPARK GENERATOR
	PCO0138	OVEN DOOR STUD
	PCO0140	JET PRESS CATCH
	PCO0292	OVEN SHELF
	MAC0056	GRILL BURNER

FOR ANY DOORS, FACIAS OR HOB PRESSINGS PLEASE CONTACT OUR OFFICE
WITH BOTH "OH" NUMBERS AND/OR THE SERIAL NUMBER

01423 320009

www.leisurespares.co.uk

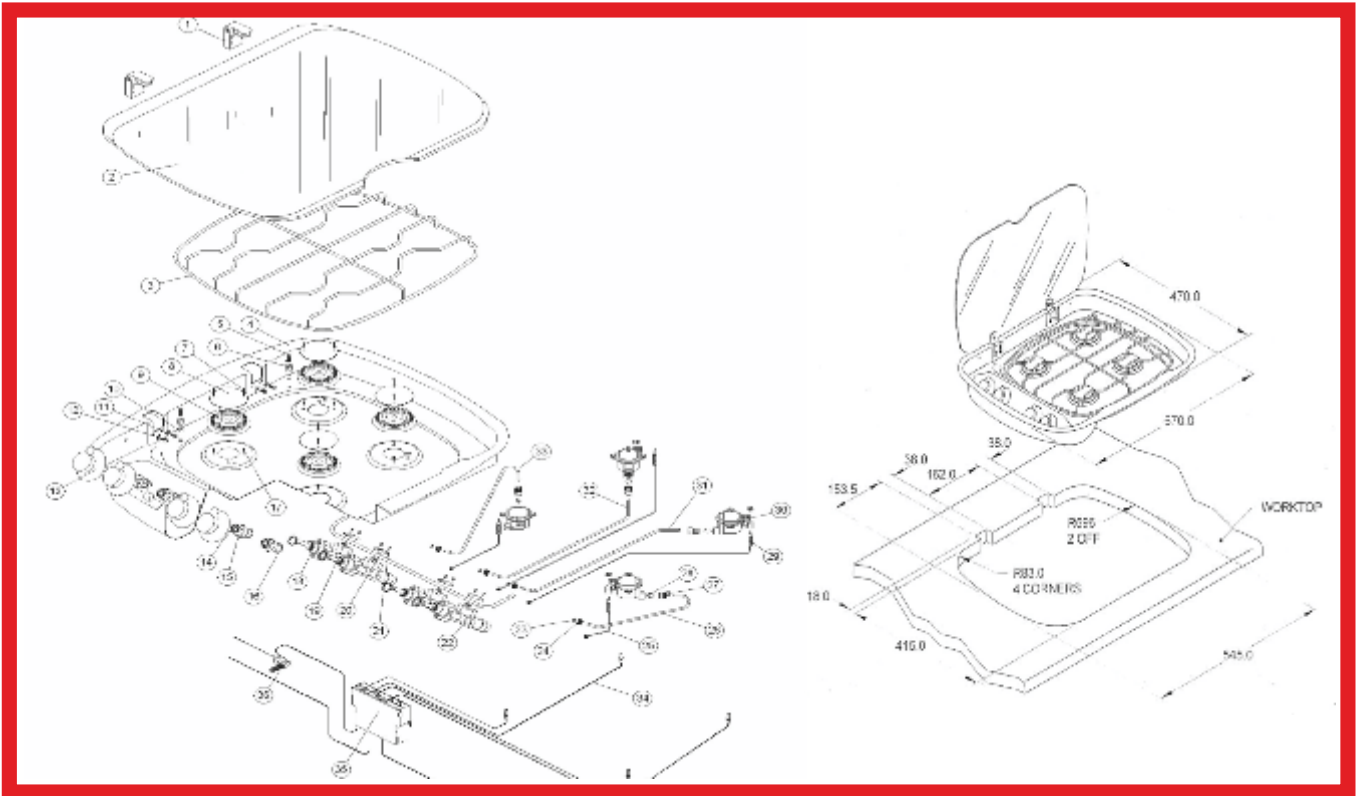


KEY	PART NUMBER	DESCRIPTION
1	PCC0803	MEDIUM BURNER CAP
2	PCC0811	MEDIUM FLAME SPREADER
5	PCC0833	LARGE BURNER CAP
7	PCC0831	LARGE FLAME SPREADER
	PCC4240	OVEN THERMOCOUPLE
17	PCC4270	GRILL THERMOCOUPLE
40	PCC0827	AUXILIARY FLAME SPREADER
41	PCC0823	AUXILIARY BURNER CAP
42	PCC0682.EN	PAN SUPPORT (2 REQ PER COOKER)
	PCX0391	BUMP STOP
	PCO0283	SHELF SUPPORT (55MM)
	PCO0279	SHELF SUPPORT (30MM)
	PCO0250LH	LEFT HAND DOOR SEAL
	PCO0251RH	RIGHT HAND DOOR SEAL
	PCC1453	ELECTRODE & LEAD 300mm
	PCC1455	ELECTRODE & LEAD 600mm
	PCC1457	ELECTRODE & LEAD 900mm
	PCC0728	HOB GAS TAP
	PCC0729	GRILL GAS TAP
	PCO0474	OVEN GAS TAP & THERMOSTAT
	PCO0295	OVEN SHELF
	MAC0107	WIDE GRILL PAN / HANDLE / TRIVET

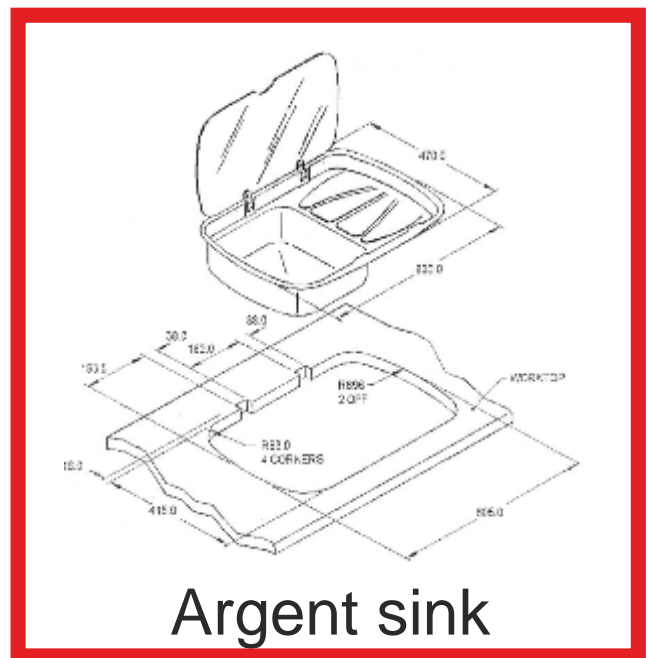
FOR ANY DOORS, FACIAS OR HOB PRESSINGS PLEASE CONTACT OUR OFFICE
WITH BOTH "OH" NUMBERS AND/OR THE SERIAL NUMBER
01423 320009
www.leisurespares.co.uk

For any parts not found within these
pages, please refer to our website:
www.leisurespares.co.uk or call
01423 320009 for further assistance

ARGENT HOB



ARGENT SINK / KITCHEN CENTER



KEY	DESCRIPTION	PART NUMBER
1	Hinge for glass lid	PCC2005.BK
2	Glass lid - Smoked	PCC1900.BK
2	Glass lid- Chinchilla / Frosted	PCC1902
3	Pan support 4 burner (chrome)	PCC0643
3	Pan support 3 burner (chrome)	PCC0639
6	Pan support clip	PCC0647
7	Burner cap screw	PCC0815
8	Burner cap	PCC0813
9	Burner skirt / spreader	PCC0812
13	Control knob	PCC0618
17	Burner cap fixing stud	PCC0814
18	Gas tap (screw type)	PCC0718
18	Gas tap (spade type)	PCC0728
25	Screw type thermocouple 320mm	PCC1167
25	Spade type thermocouple 450mm	PCC1132
29	Screw type thermocouple 450mm	PCC1168
29	Spade type thermocouple 450mm	PCC1132
30	Burner cup and jet	PCC0797
34	Spark electrode & lead 600mm	PCC1455
	Spark electrode & lead 300mm	PCC1453
35	Spark generator	PCC1399
36	Microswitch & button for spark generator	PCC1420
	Seal / Bezel (hob to worksurface)	PCC1203
	Bump stop for glass lid	PCX0385

KITCHEN CENTER

KEY	DESCRIPTION	PART NUMBER
1	Glass lid with bracket	GL1091
2 & 3	Rack and cutlery box	AC0611
4	Bowl	AC0140
5	Drainer	AC0630
6	Chopping board	AC0640

ARGENT SINK

DESCRIPTION	PART NUMBER
Glass lid - Smoked	PCC1910.BK
Glass lid - Chinchilla / frosted	PCC1912
Hinge for glass lid	PCC2005.BK
Bezel / seal (sink to work surface)	PCC1201BK

For any parts not found within these pages, please refer to our website: www.leisurespares.co.uk or call 01423 320009 for further assistance

DOOR SEALS

ONE PART DOOR SEALS

MODEL	PART NUMBER
Caprice 2020	PCO0649
Caprice 2040	PCO0649
Caprice MK3	PCO0649
Caprice 6000	PCO0245
Cara	PCO0245
Duo 75	PCO0249
Enigma 600 OH96	PCO0248
Karina	PCO0249
Karina 600	PCO0647
Karisma	PCO0649
Midi Prima	PCO0649
Nelson (Marine)	PCO0245
Prodigy	PCO0647
Eclipse	PCO0249
S2000	PCO0249
Duplex OG9	PCO0649

TWO PART DOOR SEALS

MODEL	PART NUMBER
Duplex OG7	PCO0246 (2 Required)
Aspire CK13000	PCO0246 (2 Required)
Triplex	PCO0246 (2 Required)
Caprice Mk3	PCO0246 (2 Required)
Midi prima Mk3	PCO0246 (2 Required)
Enigma OH46	PCO0250LH & PCO0251RH
Cocina CK16000	PCO0250LH & PCO0251RH

For any parts not found within these pages, please refer to our website: www.leisurespares.co.uk or call 01423 320009 for further assistance

INNER DOOR GLASS

MODEL	PART NUMBER
Caprice 2020	PCO0535
Caprice 2040	PCO0535
Caprice Mk3	G1090
Caprice 6000	PCO0535
Cocina CK16000	G1010
Cara	PCO0535
Duo	PCO0433
Enigma 600	G1000
Karina 600	PCO1220
Karina 2020	PCO0433
Midi Prima II	PCO0535
Midi Prima MkIII	G1090
Nelson (Marine)	PCO0735
Prima 600	G1000
Prodigy	PCO1640
S2000	PCO0433

SHELF WIDTH / PART NUMBERS

MODEL	25.5cm	37cm	39cm	40cm	46.5cm	48.5cm
2000				PCO0185		
6000			PCO0285			
CAPRICE						PCO1085
CAPRICE MK3		PCO0292				
CAPRICE 2020			PCO0285			
CAPRICE 2040			PCO0285			
CARA			PCO0285			
DUO 75				PCO0185		
DUO 75 WARM CUPBOARD	PCO0288					
ECLIPSE				PCO0185		
ENIGMA 600					PCO0295	
COCINA CK16000					PCO0295	
KARINA 600 OVEN/GRILL						PCO1085
KARINA 2020 GRILL			PCO0285			
KARINA 2020 OVEN				PCO0185		
ASPIRE CK13000		PCO0292				
MIDI PRIMA OP6 OVEN/GRILL			PCO0285			
MIDI PRIMA 445 MK3 OP4/7		PCO0292				
MIDI PRIMA OP9 OVEN/GRILL		PCO0292				
PRIMA				PCO0185		
TRIPLEX / DUPLEX		PCO0293				
PRODIGY						PCO1085

GLASS LIDS

MODEL	PART NUMBER
ARGENT SINK CHINCHILLA	PCC1912
ARGENT SINK SMOKED	PCC1910.BK
ARGENT HOB CHINCHILLA	PCC1902
ARGENT HOB SMOKED	PCC1900.BK
KARINA 2020	GL6060
CAPRICE MK3	G990.BK
CAPRICE 600	GL6070
CAPRICE 2020	GL6060
CAPRICE 2040	G990.BK
KARINA	GL6016
KARINA 600	GL6070
CAPRICE 6000/6100	GL6013
COCINA CK16000	G905.BK
ASPIRE CK13000	G998.BK
ENIGMA 600	G900.BK
DUO 75	GL6031

For any parts not found within these pages, please refer to our website: www.leisurespares.co.uk or call 01423 320009 for further assistance

CONTROL KNOBS



Part number:

PCC0626GD



Part number:

PCC0599.BK



Part number:

PCC0626SA



Part number:

PCC0599.MNK



Part number:

PCC0619



Part number:

PCC0616



Part number:

PCC0614SA



Part number:

PCC0622



Part number:

PCC0614.GD



Part number:

PCC0583.SCR



Part number:

PCC0614.CR




Part number:


**PCFI0600BK
(solaris fire)**

THE MAJORITY OF SPINFLO KNOBS ARE INTERCHANGEABLE ACROSS MODELS

Part number:
PCC0618GD



Part number:
PCC0617GD




Part number:
PCC0618.CR




Part number:
PCC0617.CR




Part number:
PCC0590.CR




Part number:
PCC0595.CR



Part number:
PCC0590.SA




Part number:
PCC0595.SA




Part number:
PCC0590.GD




Part number:
PCC0595.GD



Part number:
PCC0618SA



Part number:
PCC0617SA



THE MAJORITY OF SPINFLO KNOBS ARE INTERCHANGEABLE ACROSS MODELS

COMMON POPULAR PARTS

PART NUMBER: PCC1420
Micro ignition switch & button



PART NUMBER: PCC1340
Rocker ignition switch



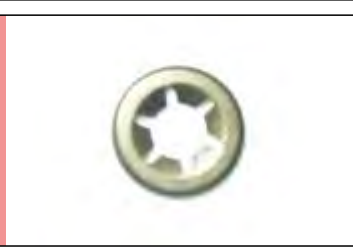
PART NUMBER: PCX0389
Mushroom shaped bump stop



PART NUMBER: PCX0385
Screw in type bump stop



PART NUMBER: PCX0184
Star lock washer



PART NUMBER: PCC0647
Screw in type pan support clip



PART NUMBER: PCC0635
Metal pan support clip



PART NUMBER: MAC0104
Grill pan, handle & trivet
Handle only: PCC1186



COMMON POPULAR PARTS



PART NUMBER: MAC0052
Grill burner assembly with shroud



PART NUMBER: MAC0056
Grill burner assembly, no shroud



PART NUMBER: MAC3120
4 gang shut off switch



PART NUMBER: PCFI0010
Pilot assembly for Solaris fire, with electrode & thermocouple



PART NUMBER: PCFI0020
Gas valve assembly for Solaris fire, complete with electrode lead



PART NUMBER: PCC1399
12v spark generator box



PART NUMBER: PCC1391
230v spark generator box



PART NUMBER: DK01
Side opening door fixing kit, includes, top & bottom hinges, 1 jet press catch, 1 stud, 2 hinge bushes & 4 hinge fixing screws

COMMON POPULAR PARTS

PART NUMBER: MAO0064
16cm oven burner & bracket



PART NUMBER: MAO0060
25cm oven burner & bracket



PART NUMBER: PCC0500
Gas safety shut off valve



PART NUMBER: PCC2005.BK
Argent glass lid hinge



PART NUMBER: PCO0452
Screw connection oven gas valve & thermostat,
to fit: 6000, caprice 2020, 2040, Mk3, Cara &
Midi prima (appliance age dependent)



PART NUMBER: PCO0472
Spade connection oven gas valve & thermostat,
to fit: Aspire Ck13000 & Midi prima
(appliance age dependent)



PART NUMBER: PCO0454
Screw connection oven gas valve & thermostat,
to fit: Duo 75, Enigma, Karina 2020 & Karina
600 (appliance age dependent)



PART NUMBER: PCO0474
Spade connection oven gas valve & thermostat,
to fit: Cocina Ck16000



Sei 1-6

Heki rooflights

Sei 7-8

Popular blind & window parts

Sei 9

Seitz products

Please use this short form catalogue as a handy guide to our most popular spare parts and schematic diagrams.

.....

Information on our products & spares not found within these pages can be located on our website www.leisurespares.co.uk or you can call our office on **01423 320009**.

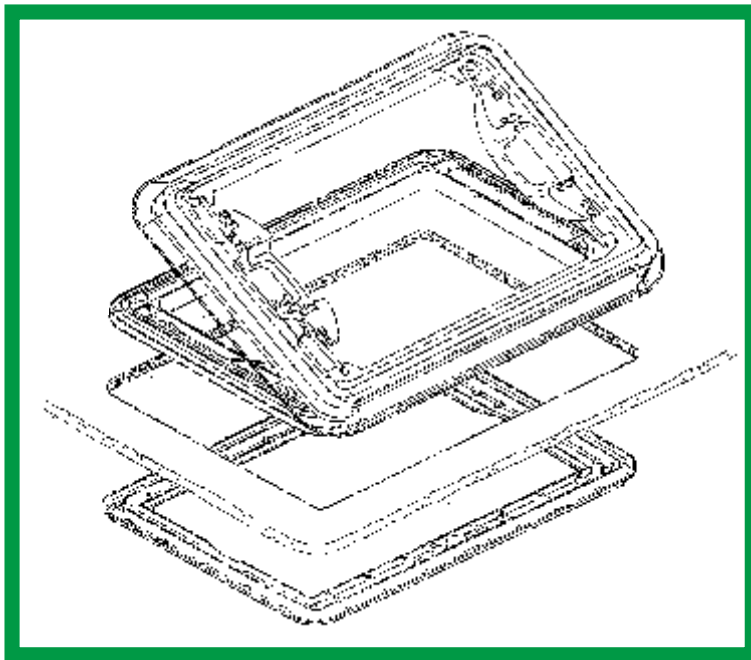


Phone: 01423 320009

Fax: 01423 320006

Email: sales@leisurespares.co.uk

HEKI 1



HEKI 1

960 x 655 aperture.

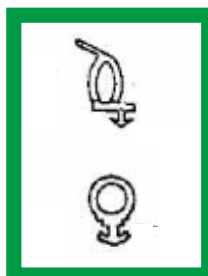
Large push up handles, with optional winder. The glazing panel has a one piece hinge bar.

POPULAR PARTS

PART NUMBER	DESCRIPTION
540E02	GLAZING FRAME ONLY
540E03	GLAZING PANEL ONLY
540E04	PAIR OF PUSH UP HANDLES
540E12	NON VENTED GLAZING FRAME SEAL
540E07	VENTED GLAZING FRAME SEAL
550E16	EXTERIOR FRAME ONLY
550E27	WINDING HANDLE & ASSEMBLY PARTS
540E06	EXTERIOR FRAME NON VENTED SEAL
540E07	EXTERIOR FRAME VENTED SEAL
560E01	COMPLETE INTERIOR FRAME WITH BLIND & FLY
560E32	PAIR OF BLIND / FLY SIDE TRACKS
560E33	BLACK FLYNET (COMPLETE)
560E3409	GREY BLIND (COMPLETE)
560E3412	CREAM BLIND (COMPLETE)
560E3425	IVORY BLIND (COMPLETE)
560E35	CREAM VENTILATION COVER SET
560E35G	GREY VENTILATION COVER SET
560E35W	WHITE VENTILATION COVER SET
560E36	SCREW & SCREW CAP COVER SET
FM1002	SPRING MOTOR FOR BLIND OR FLY

Seal profile **without** ventilation

Seal profile **with** ventilation

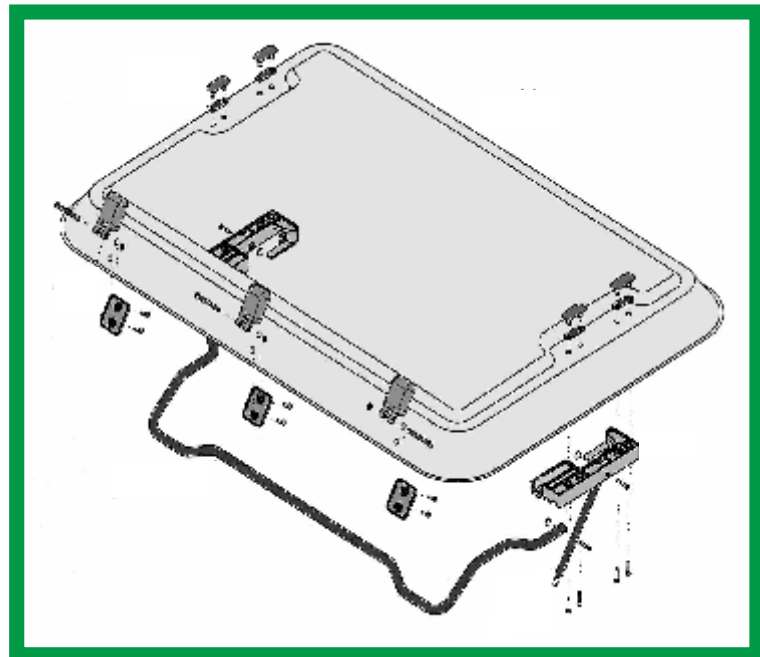


Please see appropriate lists for the part numbers of these seals.

HEKI 2

960 x 655 aperture.

Long push up bar and gas struts. The glazing panel has 3 separate hinges. The Heki 2 deluxe has the same glazing & opening, but the inner frame has discreet lighting.



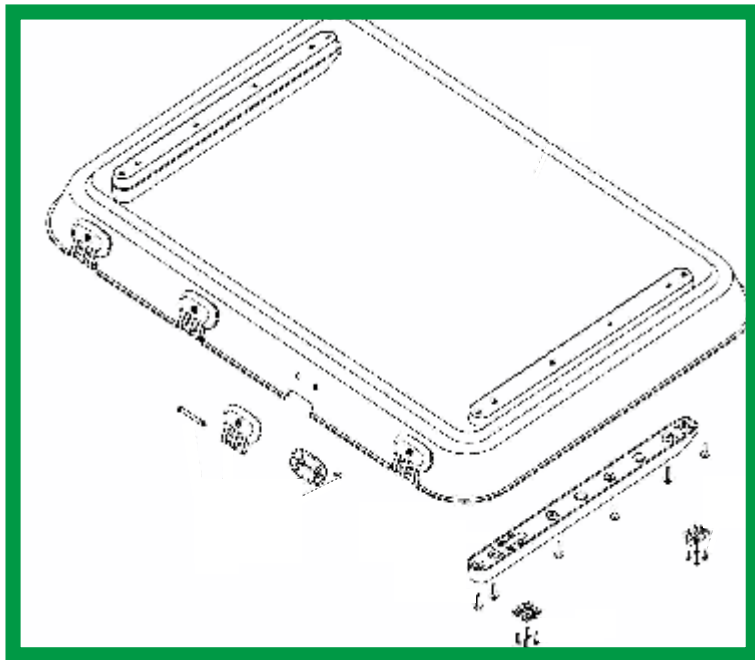
HEKI 2

PART NUMBER	DESCRIPTION
570E01	HEKI 2 GLAZING PANEL
570E05	HINGE WITH PIN & FIXING SCREWS (SOLD INDIVIDUALLY)
570E10	OPERATING BAR WITH PINS & STARLOCK CAPS
570E35	LEFT & RIGHT LIFT HANDLES
570E20	GAS STRUT (SOLD INDIVIDUALLY)
590E01	EXTERIOR FRAME ONLY
580E05	FLYNET COMPLETE
580E10	IVORY BLIND COMPLETE
580E1025	CREAM BLIND COMPLETE
580E1009	GREY BLIND COMPLETE
FM0082	SPRING MOTOR FOR BLIND OR FLYNET
560E35	CREAM VENTILATION COVER SET
560E35W	WHITE VENTILATION COVER SET
560E35G	GREY VENTILATION COVER SET
580E30-12	COMPLETE INTERIOR FRAME (CREAM)
580E3025	COMPLETE INTERIOR FRAME (IVORY)
580E01	INTERIOR FRAME WITH FIXING SCREWS ONLY

HEKI 2 DELUXE

PART NUMBER	DESCRIPTION
570E01	HEKI 2 GLAZING PANEL
570E05	HINGE WITH PIN & FIXING SCREWS (SOLD INDIVIDUALLY)
570E10	OPERATING BAR WITH PINS & STARLOCK CAPS
570E35	LEFT & RIGHT LIFT HANDLES
570E20	GAS STRUT (SOLD INDIVIDUALLY)
590E01	EXTERIOR FRAME ONLY
580E06	FLYNET COMPLETE
580E12L7	COMPLETE BLIND
FM0082	SPRING MOTOR FOR BLIND OR FLYNET
ZB102625	VENTILATION & LIGHTING COVER SET
580E29	LIGHTING ASSEMBLY (LAMP NOT INCLUDED)
580E3525	COMPLETE INTERIOR FRAME WITH LIGHTING

HEKI 3



HEKI 3

960 x 655 aperture.

Wind up handle but no lift handles.
The inner frame has discreet lighting & the glazing panel has 4 separate hinges.

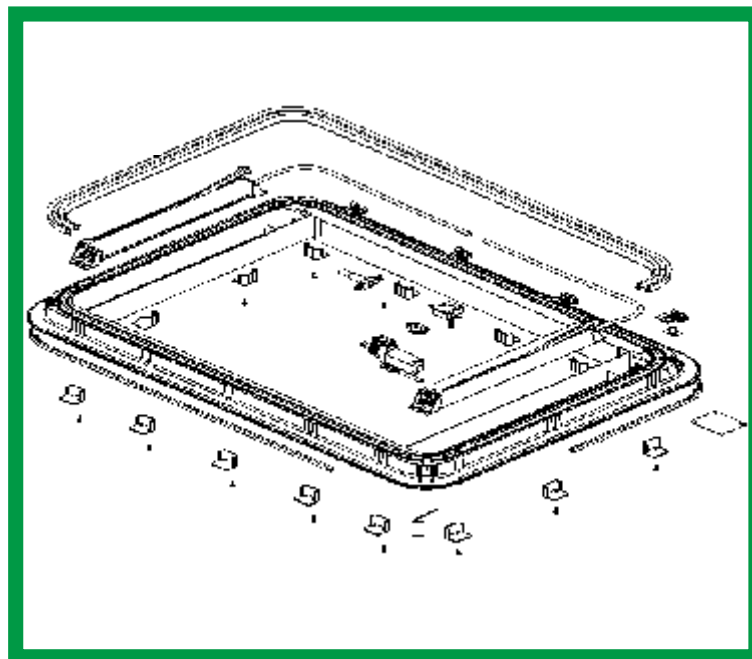
POPULAR PARTS

PART NUMBER	DESCRIPTION
BG1274	GLAZING PANEL ONLY
BG1275	HINGE WITH PIN & FIXING SCREWS (SOLD INDIVIDUALLY)
BG1256	EXTERIOR FRAME ONLY
BG1257	EXTERIOR FRAME DRIVE MECHANISM (PAIR)
BG1258	EXTERIOR FRAME AXLE-DRIVE SHAFT (PAIR)
550E2001	GEARBOX OF CRANK / HANDLE
540E12	SEAL WITHOUT VENTILATION
540E07	SEAL WITH VENTILATION
BG1263	COVER FOR HANDLE
BG1113	SPRING CLIP (SET OF 12)
BG1264	ROCKER CLIP TO CONNECT BLIND & FLYNET
BG1265	CRANK / HANDLE WITH FIXING PARTS (CREAM)
BG1266	DRIVE PINION
BG1268	12V LAMP
BG1271	FLYNET COMPLETE
BG1272	BLIND COMPLETE
FM1002	SPRING MOTOR FOR BLIND / FLYNET
ZB102625	CREAM VENTILATION & LIGHTING COVER SET
ZB102609	GREY VENTILATION & LIGHTING COVER SET
BG1678	COMPLETE INTERIOR FRAME

HEKI 4

960 x 655 aperture.

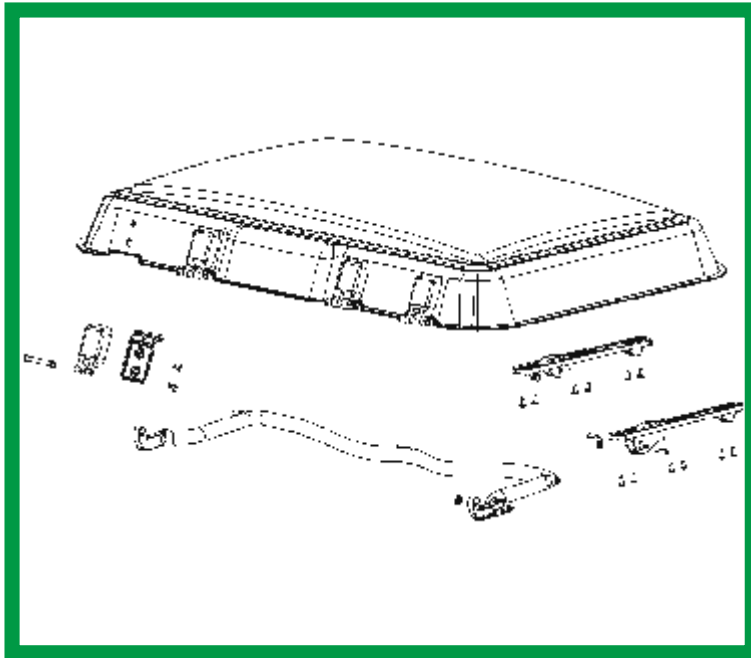
Motorised opening & lighting in the inner frame.



POPULAR PARTS

PART NUMBER	DESCRIPTION
BG1274	GLAZING PANEL ONLY
BG1275	HINGE WITH PIN & FIXING SCREWS (SOLD INDIVIDUALLY)
BG1256	EXTERIOR FRAME ONLY
BG1283	EXTERIOR FRAME DRIVE MECHANISM (PAIR)
BG1258	EXTERIOR FRAME AXLE-DRIVE SHAFT (PAIR)
BG1284	GEARBOX 1:18
540E12	SEAL WITHOUT VENTILATION
540E07	SEAL WITH VENTILATION
BG1594	ELECTRIC MOTOR
BG1595	RAIN SENSOR
BG1113	SPRING CLIP (SET OF 12)
BG1264	ROCKER CLIP TO CONNECT BLIND & FLYNET
BG1576	REMOTE CONTROL (UP TO 2005)
BG1592	REMOTE CONTROL (2005 ONWARDS)
BG1271	FLYNET COMPLETE
BG1272	BLIND COMPLETE
FM1002	SPRING MOTOR FOR BLIND / FLYNET
ZB102625	CREAM VENTILATION & LIGHTING COVER SET
ZB102609	GREY VENTILATION & LIGHTING COVER SET
BG1590	12V LAMP
BG1724	COMPLETE INTERIOR FRAME

MIDI HEKI



MIDI HEKI

700 x 500 aperture.

Can have a push up bar, wind up opening or electric opening.

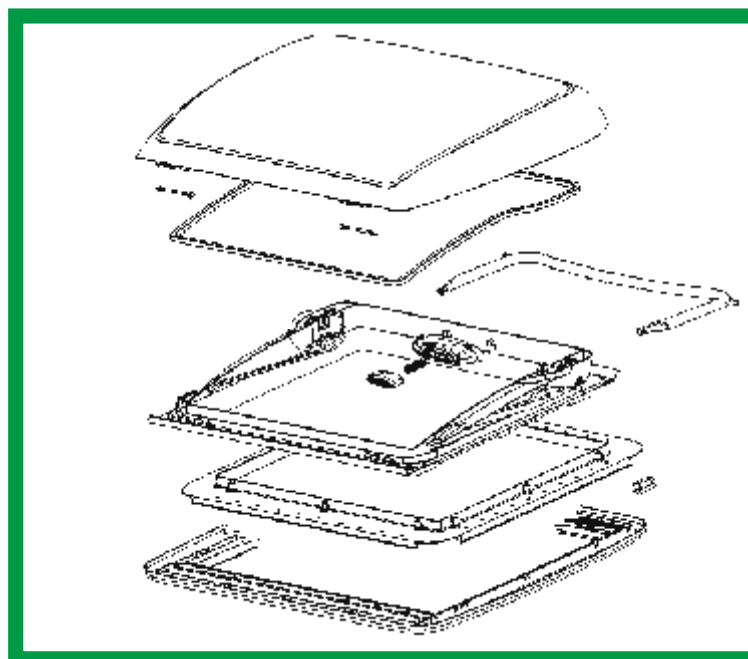
POPULAR PARTS

PART NUMBER	DESCRIPTION
BG1512	GLAZING PANEL ONLY
BG1513	HINGE SET WITH PINS & FIXING SCREWS
BG1515	OPERATING BAR SPRINGS (PAIR)
BG1516	OPERATING BAR WITH FIXINGS
BG1517	EXTERIOR FRAME ONLY
BG1521	SEAL
BG1518	L & R EXTERIOR FRAME COVER (BAR VERSION)
BG1705	L & R EXTERIOR FRAME COVER (CRANK VERSION)
BG1706	L & R EXTERIOR FRAME COVER (ELECTRIC VERSION)
BG1716	COMPLETE GEARING MECHANISM (CRANK VERSION)
BG1717	COMPLETE GEARING MECHANISM (ELECTRIC VERSION)
BG1594	MOTOR FOR ELECTRIC VERSION
BG1523	INTERIOR FRAME ONLY
560E35	CREAM VENTILATION COVER SET
560E35W	WHITE VENTILATION COVER SET
560E35G	GREY VENTILATION COVER SET
BG1392	COMPLETE INTERIOR FRAME (BAR VERSION)
BG1479	COMPLETE INTERIOR FRAME (CRANK VERSION)
BG1709	COMPLETE INTERIOR FRAME (ELECTRIC VERSION)
BG1113	SPRING CLIPS (SET OF 12)
BG1715	CORD SET FOR BLIND & FLYNET

MINI HEKI

400 x 400 aperture.

small push up bar & push up button to open.



POPULAR PARTS

PART NUMBER	DESCRIPTION
BG1423	GLAZING PANEL ONLY
BG1424	GLAZING PANEL COMPLETE WITH SEAL & HINGE BOLT
BG1327	SEAL
BG1328	OPERATING BAR WITH FIXING PARTS
BG1329	PUSH BUTTON
BG133025	INTERIOR FRAME COMPLETE WITH BLIND & FLYNET
BG14472501	MOUNTING FRAME (25 - 42mm ROOF THICKNESS)
BG14472502	MOUNTING FRAME (43 - 60mm ROOF THICKNESS)
BG1113	SPRING CLIP (SET OF 12)

For any parts not found within these pages, please refer to our website www.leisurespares.co.uk or call our office on 01423 320009 for further assistance.

POPULAR BLIND & WINDOW PARTS

PART NUMBER: BG1125
 Pair of blind end clips (cream)



PART NUMBER: SP420PR
 Pair of blind end clips



FINGER PULLS
SP153: Cream finger pull
SP153G: Grey finger pull
SP153W: White finger pull



SCREW CAP COVERS
SP284: Cream screw cap cover
SP28422: Pearl white screw cap cover
SP284G: Grey screw cap cover
SP284W: White screw cap cover



PART NUMBER: SP1030
 Blind centre clip only (spring sold as part of
 repair kit: BG1091)



PART NUMBER: BG1264
 See-saw clip with spring



PART NUMBER: SP391
 Rastrollo centre clip



SPRING MOTORS
FM0081: Spring motor for blinds up to 1000mm
FM0082: Spring motor for blinds over 1000mm



POPULAR BLIND & WINDOW PARTS



PART NUMBER: BG1091
Repair kit for the S5 & S6 window



PART NUMBER: BG1089
Repair kit for the S4 window



PART NUMBER: BG109709
Repair kit for the Mini double cassette & Combi cassette blind



PART NUMBER: BG1099
Repair kit for the Double cassette rastrollo



CREAM / ALUMINIUM BLIND MATERIAL

BG1102: 1000mm wide x 850mm drop
BG1103: 2000mm wide x 850 mm drop
(cut width to suit)



WHITE FLYNET MATERIAL

BG1100: 1000mm wide x 850mm drop
BG1101: 2000mm wide x 850mm drop
(cut width to suit)



BLACK / BROWN LOCKING HANDLES

BG1037: Left hand locking handle
BG1036: Right hand locking handle



GREY LOCKING HANDLES

BG1078LH: Left hand locking handle
BG1078: Right hand locking handle



SEITZ PRODUCTS

As well as being approved main stockists of a wide variety of Seitz out of warranty spares, we are also able to supply current full products on request.

The Seitz product range includes:

**ROOFLIGHTS
WINDOWS
BLIND & FLY SCREEN SYSTEMS**

You can use the Dometic website www.dometic.co.uk as a way of identifying the product you are interested in, or for researching any product specifications you, or your customer may need. Once you have the product reference number you can contact our office for price, availability and / or ordering.

Phone: 01423 320009

Fax: 01423 320006

Email: sales@leisurespares.co.uk



The 1-2

Popular fridge parts

The 3

Popular toilet parts

Please use this short form catalogue as a handy guide to our most popular spare parts and schematic diagrams.

.....

Information on our products & spares not found within these pages can be located on our website **www.leisurespares.co.uk** or you can call our office on **01423 320009**.

.....

There is an abundance of Thetford schematics and parts lists on our website **www.leisurespares.co.uk** It is best to obtain the model number of the fridge or toilet in question before making any enquiries. For fridges, the model number will begin with an "N" and will be found on the data plate inside the fridge cabinet. For toilets, the data plate can be found by removing the cassette and looking inside. Any further product information can be found on the Thetford website **www.thetford-europe.com**



Phone: 01423 320009

Fax: 01423 320006

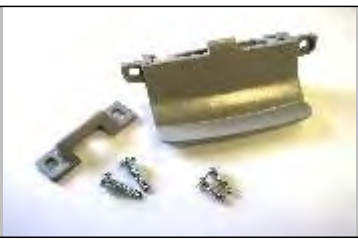
Email: sales@leisurespares.co.uk

POPULAR FRIDGE PARTS

PART NUMBER: 62302407
Version 1 latch



PART NUMBER: 62698507
Version 2 latch



PART NUMBER: 629744-90
Version 3 latch



PART NUMBER: 634420
Power board A with housing, for **small SES** fridges (N112 & below)



PART NUMBER: 634421
Power board E with housing, for **small EES** fridges (N112 & below)



PART NUMBER: 634422
Power board A with housing, for **large SES** fridges (N145 & above)



PART NUMBER: 634423
Power board E with housing, for **large EES** fridges (N145 & above)



PART NUMBER: 623077
Thermistor



POPULAR FRIDGE PARTS



PART NUMBER: 626994
Mains / AC heating element



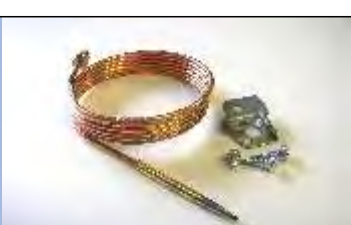
PART NUMBER: 623064
Version 1 mains / AC heating element



PART NUMBER: 626992
Mains / AC heating element



PART NUMBER: 623020
Version 1 thermocouple, with 2 spade connections



PART NUMBER: 625681
Version 2 thermocouple



PART NUMBER: 623019
Burner tube



PART NUMBER: 62568807
Version 2 manual gas valve & thermostat



PART NUMBER: 624003
Interior light bulb

POPULAR TOILET PARTS

PART NUMBER: 16374
Water pump



PART NUMBER: 23709
Electric valve



PART NUMBER: 23721
C200 lip seal



PART NUMBER: 23792
C200CWE switch



PART NUMBER: 23718
Level indicator



PART NUMBER: 23739-62
Manual pump



PART NUMBER: 50712
C250CWE pump



PART NUMBER: 50713
Reed switch



Common popular parts

Please use this short form catalogue as a handy guide to our most popular spare parts and schematic diagrams.

Information on our products & spares not found within these pages can be located on our website www.leisurespares.co.uk or you can call our office on **01423 320009**.

As well as being able to supply Smev spare parts we can also obtain full products upon request. You can use the Dometic website www.dometic.co.uk to identify the product you are interested in, then we can provide you with details on price and availability.



Phone: 01423 320009

Fax: 01423 320006

Email: sales@leisurespares.co.uk

COMMON POPULAR PARTS

PART NUMBER: 734
Smev screw cap cover



PART NUMBER: 679
Finger hole grommet for glass lids



PART NUMBER: 0900052
Pan support bush



PART NUMBER: 131
Black control knob



PART NUMBER: 900024
Silver control knob



PART NUMBER: 1053116347
400 series glass lid. **Feb 04 onwards.** This lid can be fitted to older models by using the following side trims: **PR00400L1 & PR00400L2**



PART NUMBER: 4071449237
Glass lid fixing kit, contains finger grommet, fixing screws & nuts



PART NUMBER: 307
Smev sink plug



COMMON POPULAR PARTS



PART NUMBER: 2900010
Smev door clip



PART NUMBER: 2900049
Smev door pin



PART NUMBER: 334
Smev door handle, complete with fixings



PART NUMBER: 1053102677
Smev mini grill door. Mirrored glass finish, complete with handle and hinges.



PART NUMBER: 1900006
12v hob spark generator box



PART NUMBER: 1900002
12v oven spark generator box



PART NUMBER: 1053103188
540mm spark electrode & lead, complete with spring



PART NUMBER: 1053103204
230mm spark electrode & lead complete with spring.

COMMON POPULAR PARTS

SMEV BURNER CAPS

PART NO CO547: 47mm cap, 2 screw holes
PART NO CO562: 62mm burner cap, 2 screw holes



PART NUMBER: 492:

Single screw, stainless steel burner cap



PART NUMBER: 002Z

220mm single wire, screw connection thermocouple



PART NUMBER: 004Z

330mm single wire, screw connection thermocouple



PART NUMBER: 1300221

220mm double wire, push fit thermocouple



PART NUMBER: 1300331

350mm double wire, push fit thermocouple



PART NUMBER: 1300332

450mm double wire push fit thermocouple



PART NUMBER: 364

Rocker ignition switch



Common popular parts

Please use this short form catalogue as a handy guide to our most popular spare parts and schematic diagrams.

Information on our products & spares not found within these pages can be located on our website www.leisurespares.co.uk or you can call our office on **01423 320009**.

As well as being able to supply Cramer spare parts we can also obtain full products upon request. You can use the Dometic website www.dometic.co.uk to identify the product you are interested in, then we can provide you with details on price and availability.



Phone: 01423 320009

Fax: 01423 320006

Email: sales@leisurespares.co.uk

COMMON POPULAR PARTS

CRAMER BURNER HEADS

PART NUMBER 26054: 26.5mm burner head
PART NUMBER: 4071448668: 21.5mm burner head



PART NUMBER: 4071441515
 Set of 3 burner skirts complete with screws
 (80mm diameter at widest point)



PART NUMBER: 4071439949
 Burner bowl and jet (50mm diameter bowl)



PART NUMBER: 4071439972
 Set of 2 burner caps & screws, 60mm diameter



PART NUMBER: 27249
 Old style burner bowl & jet



PART NUMBER: 4071441267
 160mm pan support



PART NUMBER: 4071439923
 200mm pan support



PART NUMBER: 4071443123
 250mm pan support



COMMON POPULAR PARTS



PART NUMBER: 37116
Grill gas tap



PART NUMBER: 4071439857
Left hand hob gas tap



PART NUMBER: 4071440830
Right hand hob gas tap



THERMOCOUPLES
PART NUMBER: 4071443776 350mm length
PART NUMBER: 4071441556 500mm length



PART NUMBER: 4071440012
Rocker ignition switch



PART NUMBER: 4071448411
Burner gasket



PART NUMBER: 4071439840
Pack of 4 black control knobs



PART NUMBER: 4071439899
Pack of 16 pan support bushes

COMMON POPULAR PARTS

PART NUMBER: 4071442729
Glass lid fixing kit



HOB FIXING KITS

PART NUMBER: 4071439865 Stainless steel hobs
PART NUMBER: 4071440863 Enamelled hobs



PART NUMBER: 4071440913
Glass lid for CE-99 3 & 4 burner hobs



PART NUMBER: 4071445532
Glass lid for CE-00 BTK 659 sink



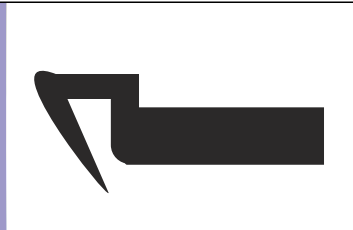
PART NUMBER: 4071445763
Cramer **glass lid**, can be used on either a hob or a sink



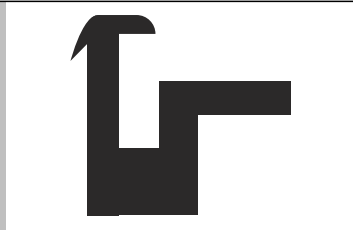
PART NUMBER: 4071445722
Cramer **glass lid**, can be used on either a hob or a sink



PART NUMBER: 4071446597
Cramer fitting gasket, for fitting appliances **on top** of the work surface (picture shows side profile of seal)



PART NUMBER: 4071445375
Cramer fitting gasket, for fitting appliances **flush** to the work surface (picture shows side profile of seal)



STOVES

Sto 1-2

Common popular parts

Please use this short form catalogue as a handy guide to our most popular spare parts and schematic diagrams.

Information on our products & spares not found within these pages can be located on our website www.leisurespares.co.uk or you can call our office on **01423 320009**.

For any Stoves spares, it is always best to obtain the serial number and model number from the appliance. These are found either at the bottom corner of the cooker, or under the control knobs. The model number will be 9 digits long and begin with either "05" or "44444"



Phone: 01423 320009

Fax: 01423 320006

Email: sales@leisurespares.co.uk

COMMON POPULAR PARTS

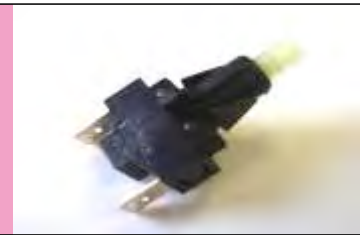
PART NUMBER: 81770400
Plastic push in pan support clip



PART NUMBER: 82287900
Screw in pan support clip



PART NUMBER: 81811101
Push button ignition switch



PART NUMBER: 81540704
Push button ignition switch



PART NUMBER: 82297300
Grill and pan door hinge



PART NUMBER: 82309300
Push to release pan door catch



PART NUMBER: 82438000
Magnetic catch



PART NUMBER: 12379100
Gas valve safety shut off



COMMON POPULAR PARTS



PART NUMBER: 82472700
240v 800w electric hot plate



PART NUMBER: 82351000
Hot plate switch



OVEN SHELVES
PART NUMBER: 82914700 360mm wide shelf
PART NUMBER: 82512302 460mm wide shelf



PART NUMBER: 81599400
Burner cap & crown (65mm diameter cap)



PART NUMBER: 81369100
Burner skirt (63mm diameter skirt)



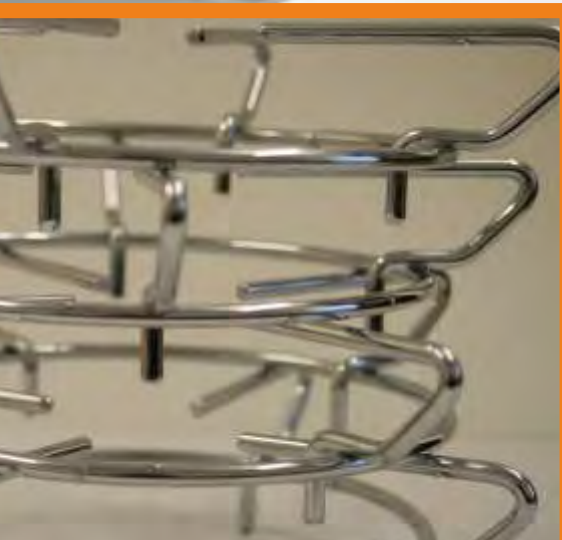
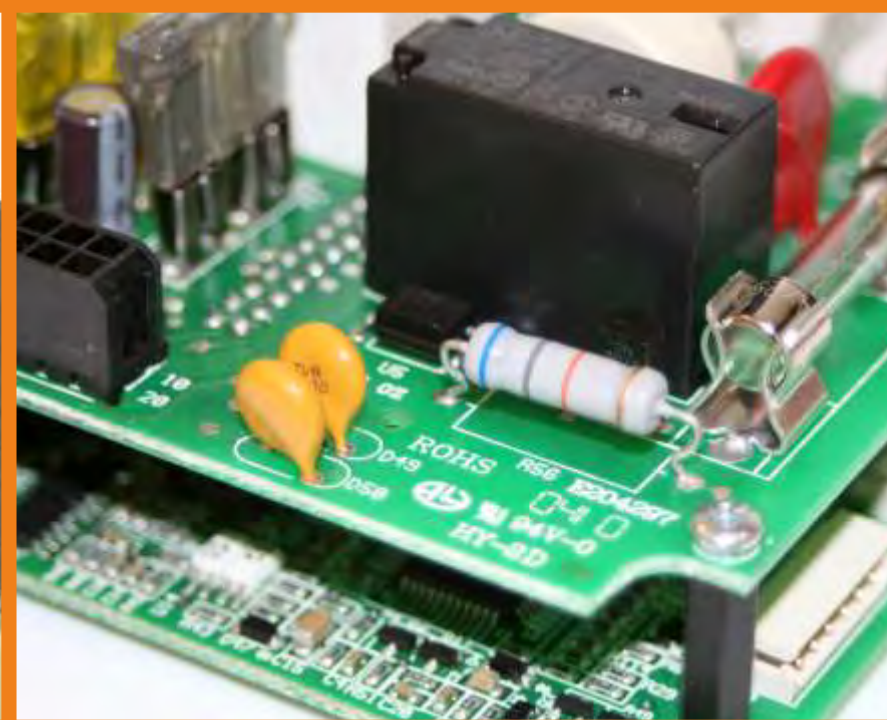
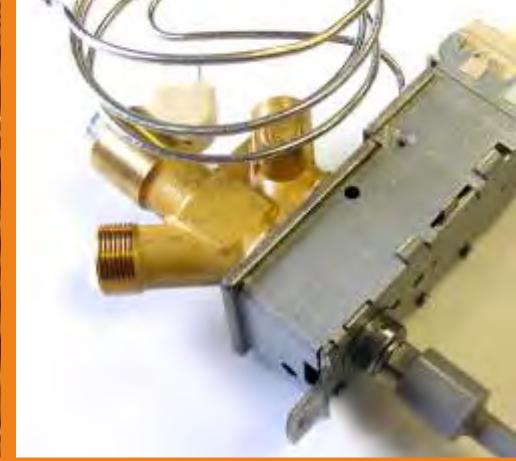
POPULAR BURNER CAPS
PART NUMBER: 82519702 Small screw on cap
PART NUMBER: 82519705 Medium screw on cap
PART NUMBER: 82519708 Large screw on cap



POPULAR BURNER SKIRTS
PART NUMBER: 82519601 Small burner skirt
PART NUMBER: 82519603 Medium burner skirt
PART NUMBER: 82519605 Large burner skirt



POPULAR BURNER BOWLS & JETS
PART NUMBER: 82519302 Small burner bowl
PART NUMBER: 82519405 Medium burner bowl
PART NUMBER: 82519505 Large burner bowl



 Dometic

SPINFLO

by **THETFORD**

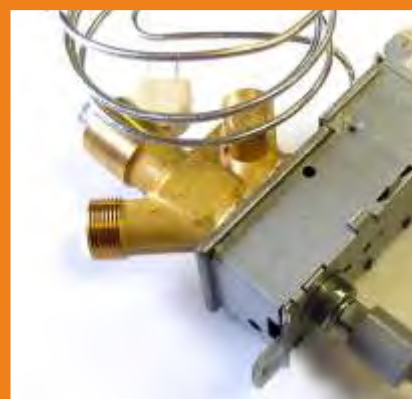
 Dometic SEITZ

THETFORD

 Dometic SMEV

 Dometic CRAMER

STOVES



LEISURESPARES

THE **PREFERRED** SPARES SUPPLIER

www.leisurespares.co.uk
sales@leisurespares.co.uk
Tel: 01423 320009
Fax: 01423 320006